

Item # 8166-11

# KingCraft®

## Owner's Manual

# 2000 WATT GENERATOR



**Please read and save these instructions.**

**HAVE QUESTIONS OR NEED SERVICE**   
**PLEASE CALL TOLL FREE: 888.896.6881**

**⚠ DANGER**  
**Carbon Monoxide**

**Using a generator indoors WILL KILL YOU IN MINUTES.**

### Carbon Monoxide

Generator exhaust contains high levels of carbon monoxide (CO), a poisonous gas you cannot see or smell. If you can smell the generator exhaust, you are breathing CO. But even if you cannot smell the exhaust, you could be breathing CO.

- NEVER use a generator inside homes, garages, crawlspaces, or other partly enclosed areas. Deadly levels of carbon monoxide can build up in these areas. Using a fan or opening windows and doors does NOT supply enough fresh air.
- ONLY use a generator outdoors and far away from open windows, doors, and vents. These openings can pull in generator exhaust.

Even when you use a generator correctly, CO may leak into the home. ALWAYS use a battery-powered or battery-backup CO alarm in the home.

If you start to feel sick, dizzy, or weak after the generator has been running, move to fresh air RIGHT AWAY. See a doctor. You could have carbon monoxide poisoning.

**CONTENTS**

SAFETY PRECAUTIONS .....	2
CONTROL FUNCTION .....	3
PRE-OPERATION CHECKS .....	5
OPERATION .....	6
OIL SENSER .....	9
PERIODIC MAINTENANCE .....	10
TROUBLE SHOOTING .....	12
STORAGE .....	14
COMPLIANCE .....	14
SPECIFICATIONS .....	15
SYMBO .....	16
WARRANTY .....	17
PARTS LISTING .....	19

**WARNING:**

PLEASE READ AND UNDERSTAND THIS MANUAL COMPLETELY BEFORE OPERATING.

**1. SAFETY PRECAUTIONS****1) EXHAUST FUMES ARE POISONOUS**

- Never operate the machine in a closed area or it may cause unconsciousness and death within a short time. Operate the engine in a well ventilated area.

**2) FUEL IS HIGHLY FLAMMABLE AND POISONOUS**

- Always turn off the engine when refueling.  
Never refuel while smoking or in the vicinity of an open flame.  
Take care not to spill any fuel on the engine or muffler when refueling.
- If you swallow any fuel, inhale fuel vapor, or allow any to get in your eyes, see your doctor immediately. If a fuel spills on your skin or clothing, immediately wash with soap and water and change your clothes.
- When operating or transporting the machine, be sure it is kept upright. If it tilts, fuel may leak from the carburetor or fuel tank.

**3) ENGINE AND MUFFLER MAY BE HOT**

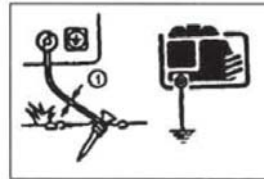
- Put the machine in a place where pedestrians or children are not likely to touch the machine.
- Avoid placing any flammable materials near the exhaust outlet during operation.
- Keep the machine away at least 1 m (3 ft) from buildings or other equipment, or the engine may overheat.
- Avoid operating the engine with a dust cover.

### 4) ELECTRIC SHOCK PREVENTION

- Never operate the engine in rain or snow.
- Never touch the machine with wet hands or electrical shock will occur.
- Be sure to ground (earth) the generator.

#### NOTE:

- Use ground (earth) lead of sufficient current capacity. Ground (earth) lead Diameter : 0.12mm(0.005 in)
- Some types of generators have no ground bolts, so do not operate the machine in rain or snow! While the machine is operating, don't touch it with wet hands!



### 5) CONNECTION NOTES

- Avoid connecting the generator to commercial power outlet.
- Avoid connecting the generator in parallel with any other generator.

### 6) BATTERY

- No smoking while handling the battery.
- The battery emits flammable hydrogen gas, which can explode if exposed to electric arcing or open flame.
- Keep the area well-ventilated and keep open flames/sparks away when handling the battery.

## 2. CONTROL FUNCTION

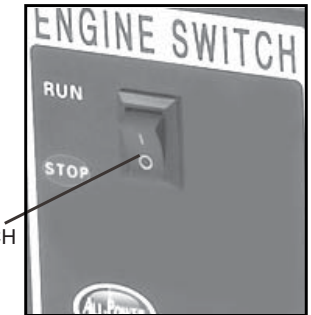
### 1) ENGINE SWITCH

The engine switch controls the ignition system.

“ON” ( “ENGINE SWITCH” on “RUN” position)  
Ignition circuit is switched on.  
The engine can be started.

“OFF”(“ENGINE SWITCH” on “STOP” position)  
Ignition circuit is switched off.  
The engine will not run.

ENGINE SWITCH



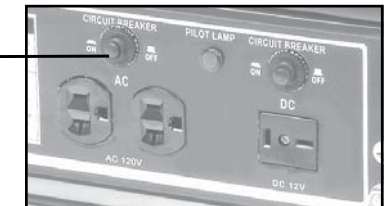
### 2) AC AND DC PROTECTOR

The AC or DC breaker turns off automatically when the load exceeds the generator rated output.

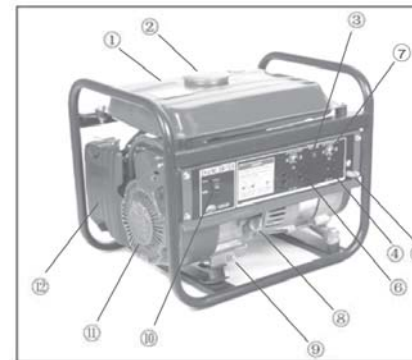
#### CAUTION:

Reduce the load to within specified generator rated output if the protector turn off !

AC PROTECTOR



### 3) COMPONENTS



- |                  |                    |                      |
|------------------|--------------------|----------------------|
| 1. Fuel tank     | 4. DC socket       | 11. Starter          |
| 2. Fuel tank cap | 5. Ground terminal | 7. DC protector      |
| 3. AC socket     | 6. AC protector    | 8. Oil filter cap    |
|                  |                    | 9. Oil drain plug    |
|                  |                    | 10. Engine switch    |
|                  |                    | 12. Air filter cover |
|                  |                    | 13. Muffler          |
|                  |                    | 14. Spark plug       |
|                  |                    | 15. Choke lever      |

---

## 2000 WATT GENERATOR

---

### 3. PRE-OPERATION CHECKS

#### **NOTE:**

Pre-OPERATION checks should be made each time the generator is used.

#### 1) CHECK ENGINE FUEL

- Check fuel level with the tank cap removed.
- If fuel level is low, refill with unleaded automotive gasoline.
- Be sure to use the fuel filter on the fuel filter neck.
- Recommended fuel: unleaded gasoline

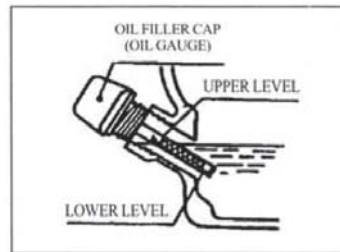


#### **WARNING:**

- DO NOT refill tank while engine is running or hot.
- Close fuel cock before refueling with fuel.
- Be careful not to admit dust, dirt, water or other foreign objects into fuel.
- Wipe off spilled fuel thoroughly before starting engine.
- Keep open flames away.

#### 2) CHECK ENGINE OIL

- Before checking or refilling oil, be sure the generator is put on a stable and level surface with engine stopped.
- Fuel level is below the lower level line, refill with suitable oil to upper level line. Do not screw in the oil filler cap when checking oil level.

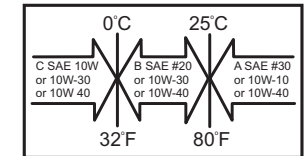


---

## OWNER'S MANUAL

---

- Recommended engine oil: SAE 30  
10W-30



### 3) GROUND ( Earth )

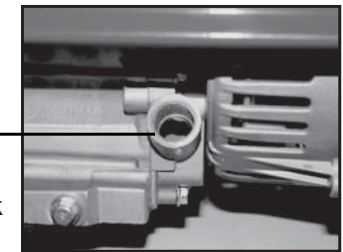
Makee sure to ground (earth) the generator.

### 4. OPERATION

#### **NOTE:**

The generator has been shipped without engine oil. Fill with oil or it will not start.

OIL INLET



#### **WARNING:**

Before starting the machine, you must check the oil level, or the engine can be damaged !

### 1) STARTING THE ENGINE

#### **NOTE:**

- Before starting the engine, do not connect the electric apparatus to the generator.

1. Turn the fuel cock to " ON ".
2. Turn the engine switch to " ON ".
3. Turn the choke level to the " CLOSE " position. Not necessary if the engine is warm.
4. Pull the starter handle slowly until resistance is felt. This is the compression point. Return the handle to its original position and pull swiftly. Do not fully pull out the rope. After starting allow the starter handle to return to its original position while still holding the handle.

---

## 2000 WATT GENERATOR

---

5. Warm up the engine.
6. Turn the choke level back to the operating position.
7. Warm up the engine without a load for a few minutes.

### 2) USING ELECTRIC POWER

#### 1. AC PROTECTOR

- (a) Check the pilot lamp for proper voltage.
- (b) Turn off the switch of the electrical appliances before connecting to the generator.
- (c) Insert the plugs of the electrical appliances into the receptacle.

#### **CAUTION:**

- Be sure the electric apparatus is turned off before plugging in.
- Be sure the total load is within generator rated output.
- Be sure the socket load current is within socket rated current.

#### **NOTE:**

When the circuit breaker no-fuse breaker turns off during operation, the generator is overloaded

#### 2. BATTERY CHARGING SOCKET (OPTION)

#### **CAUTION:**

- (a) This socket may be used for charging 12V/8.3A batteries only.
- (b) When charging, connect the charging cables to the battery terminals and then to the DC battery charging socket of the generator..
- (c) The leads must be connected making sure of the (+) and (-) polarity

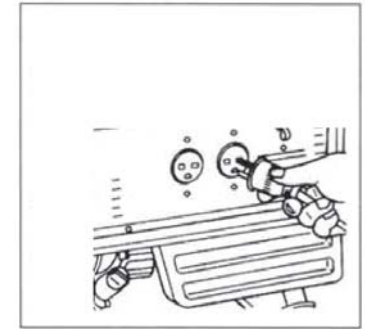
---

## OWNER'S MANUAL

---

### 3) STOPPING THE ENGINE

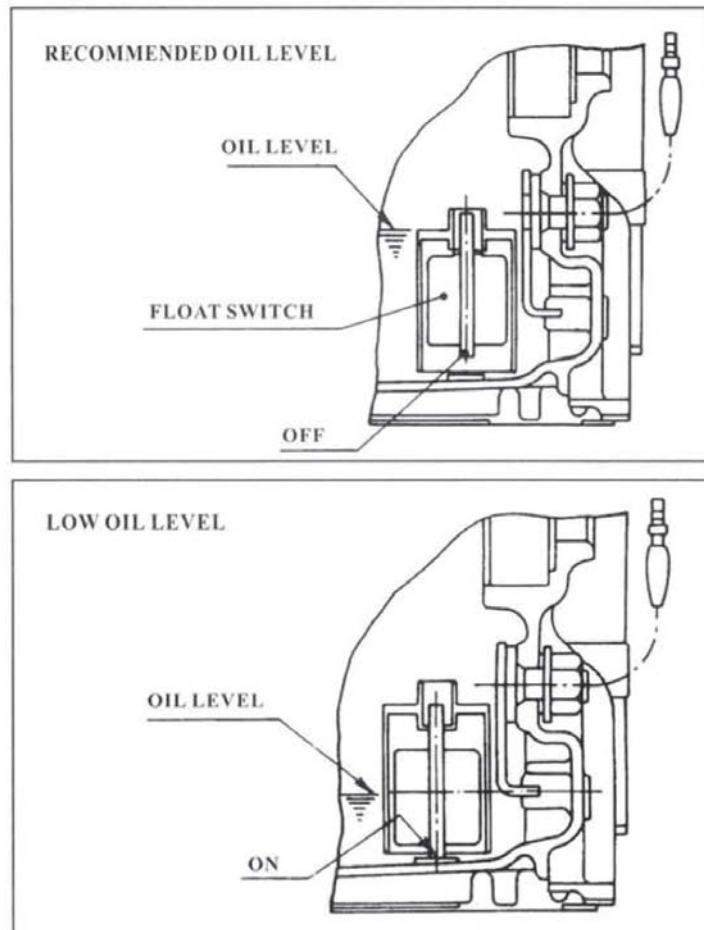
1. Turn off the power switch of the electric apparatus or unplug the cord from receptacle of the generator.
2. Turn the engine switch to "STOP".
3. Turn the fuel cock lever to "OFF".



## 2000 WATT GENERATOR

### 5. OIL SENSOR

- The oil sensor detects the fall in oil in the crankcase and automatically stops the engine when the oil level falls down below the safety limit.
- When the engine stops automatically, check the oil level.
- If the engine can not start by usual starting procedures, check the oil level.



## 2000 WATT GENERATOR

### 6. PERIODIC MAINTENANCE

#### 1) MAINTENANCE CHART

Regular maintenance is most important for the best performance and safe operation.

ITEM	REGULAR SERVICE PERIOD	First	Every	Every	Every	Every	Annually
		5 Hours	8 Hours or Each use	25 Hours or Annually	50 Hours or Annually	100 Hours	
Engine Oil	Check Level		○				
	Change Oil	○			○		
Air Filter Pre-cleaner	Clean			○			○
	Replace						○
Spark Arrester	Check(w/out)				○		
Spark Plug	Check-adjust						○
	Replace	After every 300 Hrs.					
Finger Guard	Clean		○				
Sediment Cup	Clean				○		
Area Around Muffler And Controls	Clean		○				
Change Gear Reduction Oil (If equipped)	Change					○	
Valve Clearqance	Check-adjust					○	
Idle Speed	Check-adjust					○	
Fuel Tank & Filter	Clean				○		

- Fuel tube should be check or replace every 2 years.
- Combustion chamber should be cleaned by your servicing dealer every 500Hrs.

## OWNER'S MANUAL

### 2) ENGINE OIL REPLACEMENT

1. Place the machine on a level surface and warm up the engine for several minutes. Then stop the engine.
2. Remove the oil filler cap.
3. Place an oil pan under the engine. Remove the oil drain plug so that the oil can be completely drained.
4. Check the oil drain plug, gasket, oil filler cap and O-ring. If damaged replace.
5. Add engine oil to the upper level.
6. Reinstall the oil drain plug.

#### CAUTION:

BE SURE NO FOREIGN MATERIAL ENTERS THE CRANKCASE.

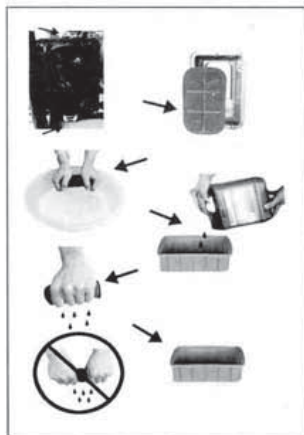
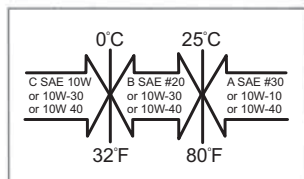
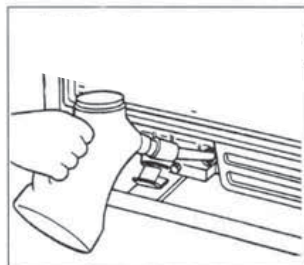
### 3) AIR FILTER

Maintaining an air cleaner in proper condition is very important.

Dirt induced through improperly installed, improperly serviced or inadequate elements damages and wears out engines.

Keep the element always clean.

1. Take out the air cleaner, clean it well in kerosene and dry it.



## 2000 WATT GENERATOR

2. After wetting the element by clean engine oil, squeeze it tight by hand.
3. Lastly, put the element in the case and install it securely.

#### CAUTION:

The engine should never run without the element; excessive piston and/or cylinder may wear.

### 4) MUFFLER

#### WARNING:

The engine and muffler will be very hot after the engine has been run. Avoid touching the engine and muffler while they are still hot with any part of your body or clothing during inspection or repair.

1. Remove the muffler from the engine.
2. Clean the carbon deposits out of the muffler using a wire brush.
3. Check the muffler, Replace it if damaged.
4. Install the muffler to the engine.



### 7. TROUBLE SHOOTING

#### 1) Engine fails to start

1. Fuel system
  - No fuel supplied to combustion chamber.
  - No fuel in tank-Supply fuel
  - Clogged fuel line-Clean fuel line.
  - Foreign matter in fuel cock-Clean fuel or if closed, open it.
  - Clogged carburetor-Clean carburetor



---

## OWNER'S MANUAL

---

### 2. Engine oil system Insufficient

- Oil level is low-Add engine oil.

### 3. Electrical system

#### Poor spark

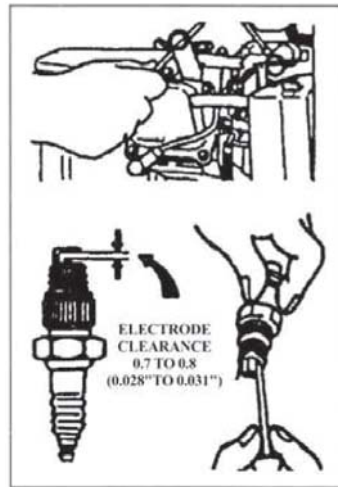
- Spark plug dirty with carbon or wet-  
Remove carbon or wipe spark plug dry.
- Faulty ignition system-Consult dealer.

### 4. Compression insufficient

- Worn out piston and cylinder-Consult dealer.
- Loose cylinder head nuts-Tighten nuts properly
- Damaged gasket-Replace gasket.

### 5. Choke lever

- If the choke lever is not in proper position, set it to close position.  
(After the engine runs , set the choke lever to open position.)



## 2) No electricity is generated at receptacle

### 1. AC protector

Check to make sure the AC protector is in the position.

### 2. Appliance

Check whether the appliance has been connected to the generator when the engine is starting. Disconnect the appliance from receptacle.

### 3. Control box

Check wire leads in control box for loose connections.

Secure connections if necessary.

---

## 2000 WATT GENERATOR

---

## 8. STORAGE

### 1. AC protector

Check to make sure the AC protector is in the position.

### 2. Appliance

Check whether the appliance has been connected to the generator when the engine is starting. Disconnect the appliance from receptacle.

### 3. Control box

Check wire leads in control box for loose connections.

Secure connections if necessary.

## 9. COMPLIANCE

You should get a Certificate of EPA while you purchased the product.



---

## OWNER'S MANUAL

---

### 10. SPECIFICATION

#### AC electrical

---

Current Output	120V @ 10A 60Hz
Continuous/rated Wattage	1200W
Peak Wattage	2000W
Outlet	2-120V receptacles

#### DC electrical

---

Current Output	12V @ 8.3A
----------------	------------

#### Gasoline engine

---

Type	4-cycle OHV air-cooled recoil start
Displacement	98cc
Oil Capacity	0.42 quart (0.4liter)
EPA Approved	yes

#### Fuel

---

Type	Unleaded gasoline
Capacity	1.32 gallons
Running Time	9 hours/half load (approx.)

#### Weight

---

Approximate Weight	54.56 lbs
--------------------	-----------

---

---

## 2000 WATT GENERATOR

---

### 11. SYMBOL

symbol	Parts name	symbol	Parts name
ENG.	Engine	OS	Oil sensor
SP	Spark plug	SC	Auxiliary winding
FC	Filed winding	V	Voltmeter
MC	AC winding	C	Capacitor
AC BR.	AC circuit breaker	ST.MC	Stator winding
DI	rectifier	T.C.I	T.C.1 UNIT
SYMBOL	WIRE COLOUR	SYMBOL	WIRE COLOUR
Y/G	Yellow/green	BR	Brown
Y	Yellow	O	Orange
R	Red	O/G	Orange/Green
B	Black	BL	Blue

### 12. Limited Warranty

KingCraft® warrants to the original purchaser who uses the product in a consumer application (personal, residential or household usage) that all products covered under this warranty are free from defects in material and workmanship for one year from the date of purchase. All products covered by this limited warranty which are used in commercial applications (i.e. income producing) are warranted to be free of defects in material and workmanship for 90 days from the date of original purchase. Products covered under this warranty include air compressors, air tools, service parts, pressure washers and generators.

KingCraft® will repair or replace, at KingCraft®'s sole option, products or components which have failed within the warranty period. Service will be scheduled according to the normal work flow and business hours at the service center location, and the availability of replacement parts. All decisions of KingCraft® with regard to this limited warranty shall be final.

This warranty gives you specific legal rights, and you may also have other rights which vary from state to state.

#### RESPONSIBILITY OF ORIGINAL PURCHASER (initial User):

To process a warranty claim on this product, DO NOT return item to the retailer. The product must be evaluated by an Authorized Warranty Service Center. For the location of the nearest Authorized Warranty Service Center call toll free 888.896.6881.

Retain original cash register sales receipt as proof of purchase for warranty to work.

Use reasonable care in the operation and maintenance of the product as described in the Owner's Manual(s).

Deliver or ship the product to the Authorized Warranty Service Center. Freight costs, if any must be paid by the purchaser.

If the purchaser does not receive satisfactory results from the Authorized Warranty Service Center, the purchaser should contact KingCraft®.

---

## 2000 WATT GENERATOR

---

### Limited Warranty (cont'd)

#### THIS WARRANTY DOES NOT COVER:

- Merchandise sold as reconditioned, used as rental equipment, or floor or display models.
- Merchandise that has become damaged or inoperative because of ordinary wear, misuse, cold, heat, rain, excessive humidity, freeze damage, use of improper chemicals, negligence, accident, failure to operate the product in accordance with the instructions provided in the Owner's Manual(s) supplied with the product, improper maintenance, the use of accessories or attachments not recommended by KingCraft®, or unauthorized repair or alterations.
- Repair and transportation costs of merchandise determine not to be defective.
- Costs associated with assembly, required oil, adjustments or other installation and start-up costs.
- Expendable parts or accessories supplied with the product which are expected to become inoperative or unusable after a reasonable period of use. ( Example: Battery, Spark Plug, Air Filter)
- Merchandise sold by KingCraft® which has been manufactured by and identified as the product of another company, such as gasoline engines. The product manufacturer's warranty, if any, will apply.
- ANY INCIDENTAL, INDIRECT OR CONSEQUENTIAL LOSS, DAMAGE, OR EXPENSE THAT MAY RESULT FROM ANY DEFECTS, FAILURE OR MALFUNCTION OF THE PRODUCT IS NOT COVERED BY THIS WARRANTY. Some states do not allow the exclusion, so it may not apply to you.
- IMPLIED WARRANTIES, INCLUDING THOSE OF MERCHANTABILITY OR FITNESS FOR A PARTICULAR PURPOSE, ARE LIMITED TO ONE YEAR FROM THE DATE OF ORIGINAL PURCHASE. Some states do not allow limitations on how long an implied warranty lasts, so the above limitations may not apply to you.

# Owner's Manual

## General Parts Listing

This list is provided for reference purposes only. All repairs and part replacement should be performed by a qualified technician. Some parts may not be available as single replacements.

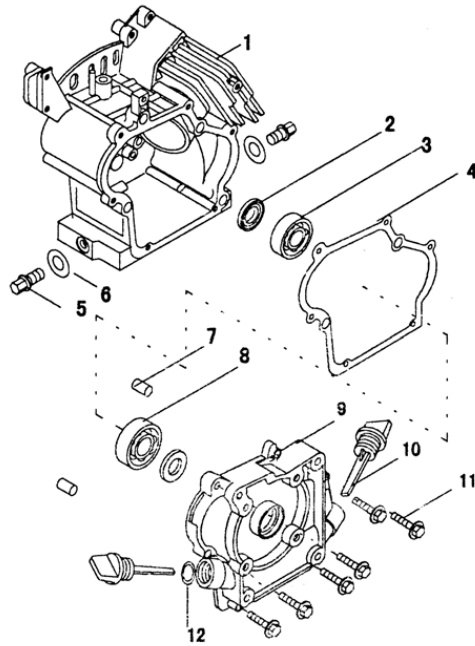


FIG A. CRANKCASE ASSY

APA Part No.	Description	Qty.
APG3014-A-01-JD	Crankcase assy.	1
APG3014-A-02-JD	Oil seal	2
APG3014-A-03-JD	Bearing 6203	1
APG3014-A-04-JD	Crankcase gasket	1
APG3014-A-05-JD	Drain bolt	2
APG3014-A-06-JD	Washer	2
APG3014-A-07-JD	Dowel pin	2
APG3014-A-08-JD	Bearing 6203	1
APG3014-A-09-JD	Crankcase cover	1
APG3014-A-10-JD	Oil level cap assy.	2
APG3014-A-11-JD	Flange bolt	6
APG3014-A-12-JD	"O" Ring	2

# 2000W Generator

## General Parts Listing

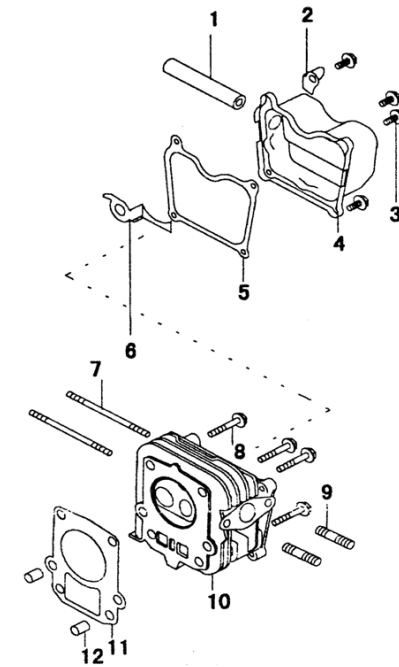


FIG B. CYLINDER HEAD

APA Part No.	Description	Qty.
APG3014-B-01-JD	Pipe	1
APG3014-B-02-JD	Wire board	1
APG3014-B-03-JD	Flange bolt	4
APG3014-B-04-JD	Head cover comp	1
APG3014-B-05-JD	Head cover gasket	1
APG3014-B-06-JD	Press board	1
APG3014-B-07-JD	Bolt M6x90	2
APG3014-B-08-JD	Flange bolt	4
APG3014-B-09-JD	Bolt M6x38	2
APG3014-B-10-JD	Cylinder head assy.	1
APG3014-B-11-JD	Cylinder head gasket	1
APG3014-B-12-JD	Dowel pin	2

# Owner's Manual

## General Parts Listing

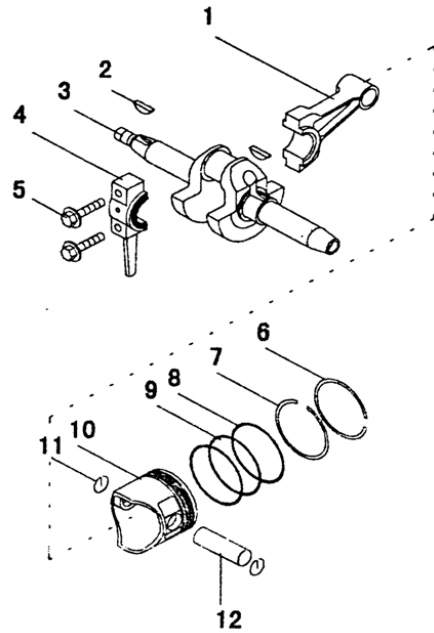


FIG C. CRANKSHAFT PISTON

APA Part No.	Description	Qty.
APG3014-C-01-JD	Connecting rod	1
APG3014-C-02-JD	Semicircle key	2
APG3014-C-03-JD	Crankshaft assy.	1
APG3014-C-04-JD	Connecting rod cover	1
APG3014-C-05-JD	Flange bolt	2
APG3014-C-06-JD	First piston ring	1
APG3014-C-07-JD	Second piston ring	1
APG3014-C-08-JD	Oil ring guide slot	1
APG3014-C-09-JD	Spring	1
APG3014-C-10-JD	Piston	1
APG3014-C-11-JD	Piston pin clip	2
APG3014-C-12-JD	Piston pin	1

# 2000W Generator

## General Parts Listing

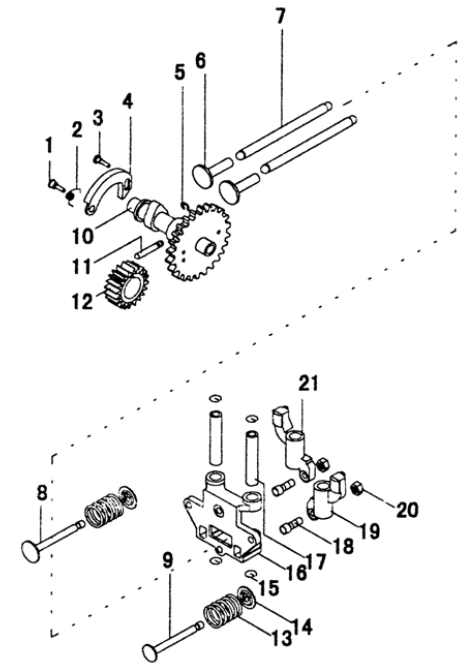


FIG D. CAMSHAFT

APA Part No.	Description	Qty.
APG3014-D-01-JD	Pin A	1
APG3014-D-02-JD	Spring	1
APG3014-D-03-JD	Pin B	1
APG3014-D-04-JD	Slide block	1
APG3014-D-05-JD	Lock ring	1
APG3014-D-06-JD	Valve lifter	2
APG3014-D-07-JD	Push rod	2
APG3014-D-08-JD	Intake valve	1
APG3014-D-09-JD	Exhaust valve	1
APG3014-D-10-JD	Camshaft	1
APG3014-D-11-JD	Pin	1
APG3014-D-12-JD	Pinion	1

# Owner's Manual

## General Parts Listing

FIG D. CAMSHAFT

APA Part No.	Description	Qty.
APG3014-D-13-JD	Valve spring	2
APG3014-D-14-JD	Spring retainers	2
APG3014-D-15-JD	Rocker ring	4
APG3014-D-16-JD	Rocker seat	1
APG3014-D-17-JD	Rocker arm shaft	2
APG3014-D-18-JD	Adjusters screw	2
APG3014-D-19-JD	Exhaust rocker	1
APG3014-D-20-JD	Net M6	2
APG3014-D-21-JD	Intake rocker	1

# 2000W Generator

## General Parts Listing

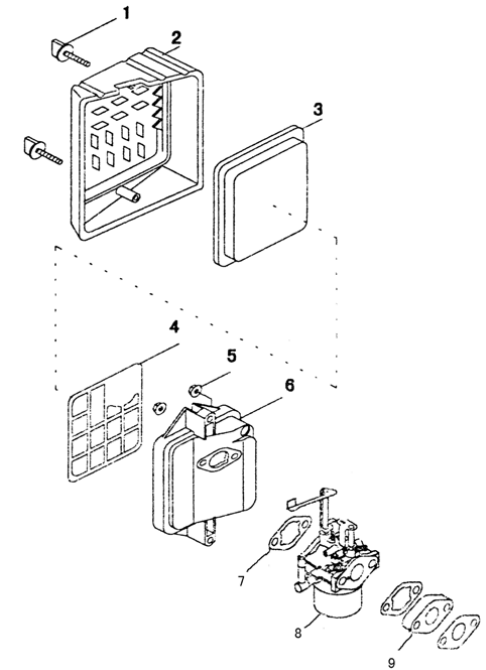


FIG E. AIR CLEANER

APA Part No.	Description	Qty.
APG3014-E-01-JD	Bolt	2
APG3014-E-02-JD	Filter cover	1
APG3014-E-03-JD	Air cleaner element	1
APG3014-E-04-JD	Hold rack	1
APG3014-E-05-JD	Net M6	2
APG3014-E-06-JD	Filter seat	1
APG3014-E-07-JD	Gasket	3
APG3014-E-08-JD	Carburetor assy.	1
APG3014-E-09-JD	Carburetor pipe	1



# Owner's Manual

## General Parts Listing

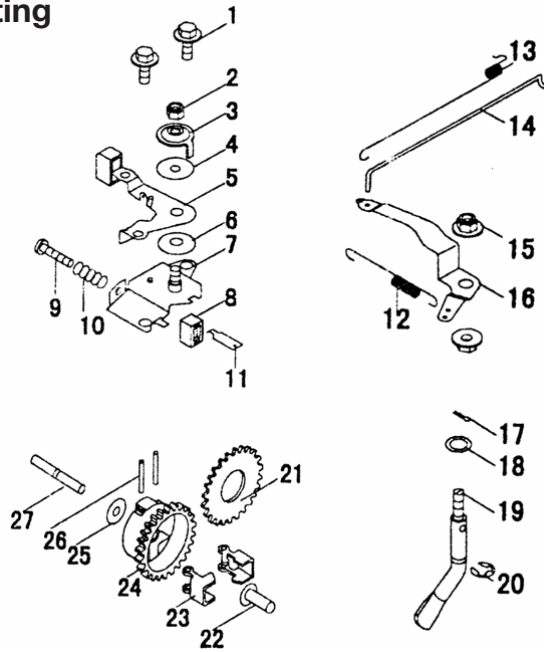


FIG G. GOVERNOR

APA Part No.	Description	Qty.
APG3014-G-01-JD	Bolt	2
APG3014-G-02-JD	Nut M6	1
APG3014-G-03-JD	Platen	1
APG3014-G-04-JD	Spring washer	1
APG3014-G-05-JD	Handle	1
APG3014-G-06-JD	Washer	1
APG3014-G-07-JD	Shaft	1
APG3014-G-08-JD	Insulation frame	1
APG3014-G-09-JD	Bolt	1
APG3014-G-10-JD	Spring	1
APG3014-G-11-JD	Socket	1

# 2000W Generator

## General Parts Listing

FIG G. GOVERNOR

APA Part No.	Description	Qty.
APG3014-G-12-JD	Spring	1
APG3014-G-13-JD	Spring	1
APG3014-G-14-JD	Link rod	1
APG3014-G-15-JD	Nut M 6	2
APG3014-G-16-JD	Governor arm	1
APG3014-G-17-JD	Lockring	1
APG3014-G-18-JD	Washer	1
APG3014-G-19-JD	Governor shaft	1
APG3014-G-20-JD	Lock ring	1
APG3014-G-21-JD	Gear	1
APG3014-G-22-JD	Governor slider	1
APG3014-G-23-JD	Flyweight	2
APG3014-G-24-JD	Adjust speed gear	1
APG3014-G-25-JD	Washer	1
APG3014-G-26-JD	Flywheel shaft	2
APG3014-G-27-JD	Adjusts speed gear shaft	1



# Owner's Manual

## General Parts Listing

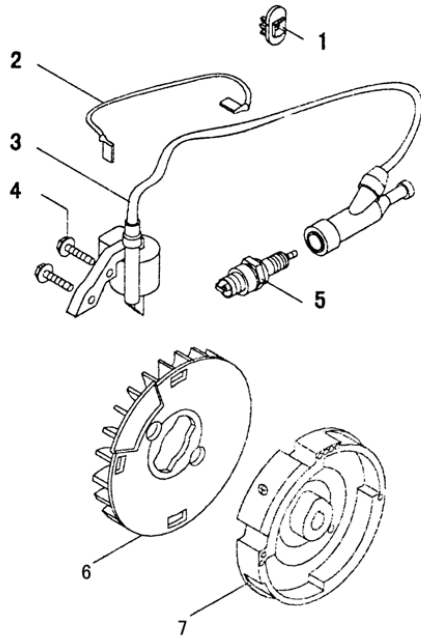


FIG H. IGNITION FLYWHEEL

APA Part No.	Description	Qty.
APG3014-H-01-JD	String frame	1
APG3014-H-02-JD	Stopping protective wires	1
APG3014-H-03-JD	Ignition coil assy.	1
APG3014-H-04-JD	Flange bolt	2
APG3014-H-05-JD	Spark plug	1
APG3014-H-06-JD	Fan	1
APG3014-H-07-JD	Flywheel	1

# 2000W Generator

## General Parts Listing

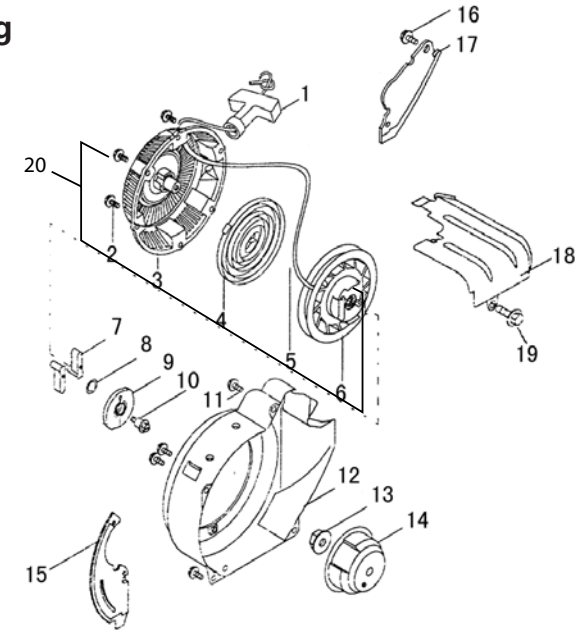


FIG I. RECOIL STARTER

APA Part No.	Description	Qty.
APG3014- I -01-JD	Handle	1
APG3014- I -02-JD	Bolt	3
APG3014- I -03-JD	Recoil starter case	1
APG3014- I -04-JD	Starter spring	1
APG3014- I -05-JD	Recoil starter rope	1
APG3014- I -06-JD	Drum sheave	1
APG3014- I -07-JD	Drive pawls	2
APG3014- I -08-JD	Clip	1
APG3014- I -09-JD	Drive plate	1
APG3014- I -10-JD	Pin	1
APG3014- I -11-JD	Bolt	4
APG3014- I -12-JD	Flywheel cover	1
APG3014- I -13-JD	Nut	1

# Owner's Manual

## General Parts Listing

FIG I. RECOIL STARTER

APA Part No.	Description	Qty.
APG3014- I -14-JD	Starter pulle	1
APG3014- I -15-JD	Behind cover	1
APG3014- I -16-JD	Bolt	2
APG3014- I -17-JD	Front cover	1
APG3014- I -18-JD	Air shroud	1
APG3014- I -19-JD	Bolt	1
APG3014- I -20-JD	Recoil starter assy	1

# 2000W Generator

## General Parts Listing

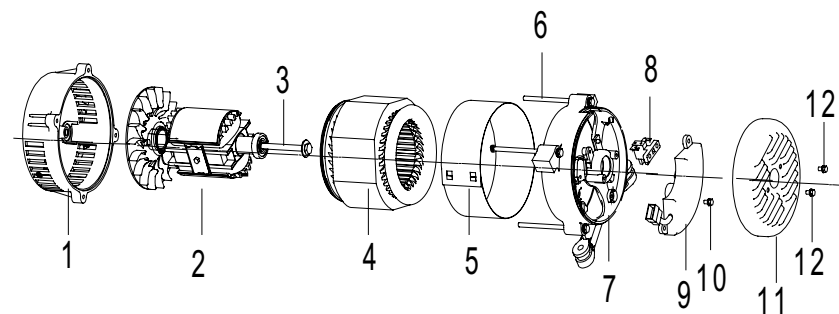


FIG J. magneto

APA Part No.	Description	Qty.
APG3014- J-01-JD	Front cover	1
APG3014- J-02-JD	Rotor	1
APG3014- J-03-JD	Bolt M8X185	1
APG3014- J-04-JD	Stator	1
APG3014- J-05-JD	Stator	1
APG3014- J-06-JD	Bolt M6X105	4
APG3014- J-07-JD	Rear cover	1
APG3014- J-08-JD	Bush Assy.	1
APG3014- J-09-JD	AVR.	1
APG3014- J-10-JD	Tapping screw	2
APG3014- J-11-JD	Generator cover	1
APG3014- J-12-JD	Bolt	2

# Owner's Manual

## General Parts Listing

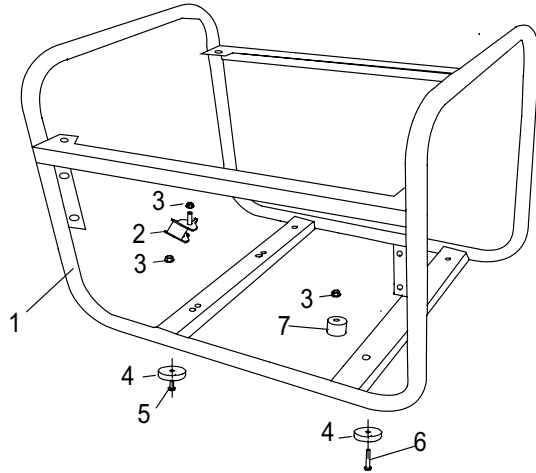


FIG K. FRAME

APA Part No.	Description	Qty.
APG3014- K-1-JD	Frame comp.	1
APG3014- K-2-JD	Bottom rubber A	2
APG3014- K-3-JD	Flange nut M8	9
APG3014- K -4-JD	Bottom rubber B	4
APG3014- K-5-JD	Bolt M8X16	3
APG3014- K-6-JD	Bolt M8X55	2
APG3014- K-7-JD	Bottom rubber C	2

# 2000W Generator

## General Parts Listing

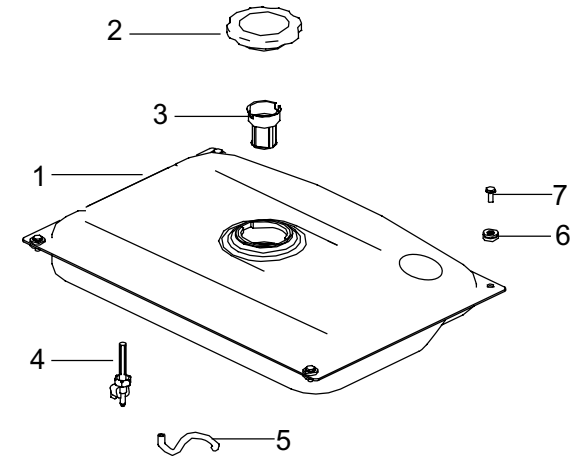


FIG L. TANK

APA Part No.	Description	Qty.
APG3014-L -01-JD	Fuel tank comp.	1
APG3014-L -02-JD	Fuel filter cap comp	1
APG3014-L -03-JD	Fuel filter	1
APG3014-L -04-JD	Fuel valve	1
APG3014-L -05-JD	Fuel tube	1
APG3014-L-06-JD	Tank cushion rubber	4
APG3014-L -07-JD	Flange bolt M6X16	4

# Owner's Manual

## General Parts Listing

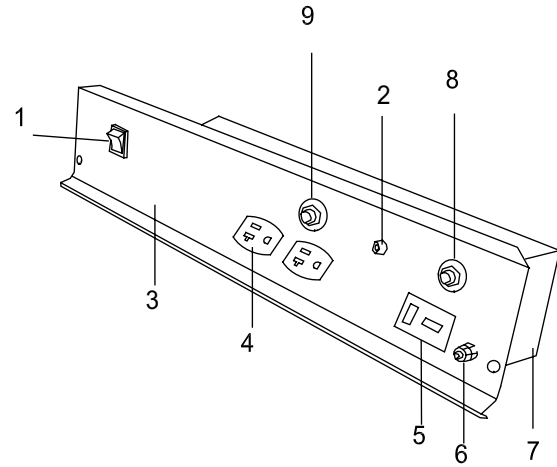


FIG M. CONTROL PANEL

APA Part No.	Description	Qty.
APG3014- M -01-JD	ENGINE SWITCH ASSY	1
APG3014- M -02-JD	OIL ALERT LAMP	1
APG3014- M -03-JD	CONTROL PANEL COMP.	1
APG3014- M -04-JD	120V RECEPTACLE	1
APG3014- M -05-JD	120V RECEPTACLE	1
APG3014- M -06-JD	EARTH TERMINAL SCREW	1
APG3014- M -07-JD	CONTROL PANEL BACK BOX	1
APG3014- M -08-JD	CIRCUIT PROTECTOR(8A)	1
APG3014- M -09-JD	CIRCUIT PROTECTOR(10A)	1