

APGG4000



Owner's Manual 4000 WATT GENERATOR



Please read and save these instructions.

**HAVE QUESTIONS OR NEED SERVICE
DO NOT RETURN TO STORE!**

PLEASE CALL TOLL FREE: 888.896.6881



www.allpoweramerica.com

4000W Generator

Table of Contents

Topic	Page
Limited Warranty	3
Safety Guidelines	5
General Precautions	6
Battery	15
Assembly	16
Operation	17
Spark Plug Service	22
Inspection, Cleaning, Maintenance and Storage	23
Installation	29
Compliance	31
Specifications	32
General Parts Listing	33



WARNING! READ AND UNDERSTAND ALL SAFETY PRECAUTIONS IN THIS MANUAL BEFORE OPERATING. FAILURE TO COMPLY WITH INSTRUCTIONS IN THIS MANUAL COULD RESULT IN PERSONAL INJURY, PROPERTY DAMAGE, AND/ OR VOIDING OF YOUR WARRANTY. ALL-POWER WILL NOT BE LIABLE FOR ANY DAMAGE BECAUSE OF FAILURE TO FOLLOW THESE INSTRUCTIONS.



Use conditional requirements:

Plateau instructions: If the elevation is between 2000ft ($\cong 94\text{kPa}$) and 7000ft ($\cong 80\text{kPa}$), the non-handheld engine need change the carburator which can be got in the maintenance station.

If the elevation is between 1100ft ($\cong 96\text{kPa}$) and 7000ft ($\cong 80\text{kPa}$), the handheld engine need change the carburator which can be got in the maintenance station.

Owner's Manual

Limited Warranty

All-Power warrants to the original purchaser who uses the product in a consumer application (personal, residential or household usage) that all products covered under this warranty are free from defects in material and workmanship for 2 years (1 year parts and labor following year parts only) from the date of purchase. All products covered by this limited warranty which are used in commercial applications (i.e. income producing) are warranted to be free of defects in material and workmanship for 90 days from the date of original purchase. Products covered under this warranty include air compressors, air tools, service parts, pressure washers and generators.

All-Power will repair or replace, at All-Power sole option, products or components which have failed within the warranty period. Service will be scheduled according to the normal work flow and business hours at the service center location, and the availability of replacement parts. All decisions of All-Power with regard to this limited warranty shall be final.

This warranty gives you specific legal rights, and you may also have other rights which vary from state to state.

RESPONSIBILITY OF ORIGINAL PURCHASER (initial User):

To process a warranty claim on this product, DO NOT return item to the retailer. The product must be evaluated by an Authorized Warranty Service Center. For the location of the nearest Authorized Warranty Service Center call 888.896.6881.

Retain original cash register sales receipt as proof of purchase for warranty to work.

Use reasonable care in the operation and maintenance of the product as described in the Owner's Manual(s).

Deliver or ship the product to the Authorized Warranty Service Center. Freight costs, if any must be paid by the purchaser.

If the purchaser does not receive satisfactory results from the Authorized Warranty Service Center, the purchaser should contact All-Power.

4000W Generator

Limited Warranty (cont'd)

THIS WARRANTY DOES NOT COVER:

- Merchandise sold as reconditioned, used as rental equipment, or floor or display models.
- Merchandise that has become damaged or inoperative because of ordinary wear, misuse, cold, heat, rain, excessive humidity, freeze damage, use of improper chemicals, negligence, accident, failure to operate the product in accordance with the instructions provided in the Owner's Manual(s) supplied with the product, improper maintenance, the use of accessories or attachments not recommended by All-Power, or unauthorized repair or alterations.
- Repair and transportation costs of merchandise determine not to be defective.
- Costs associated with assembly, required oil, adjustments or other installation and start-up costs.
- Expendable parts or accessories supplied with the product which are expected to become inoperative or unusable after a reasonable period of use.(Example: Battery, Spark Plug,Air Filter)
- Merchandise sold by All-Power which has been manufactured by and identified as the product of another company, such as gasoline engines. The product manufacturer's warranty, if any, will apply.
- ANY INCIDENTAL, INDIRECT OR CONSEQUENTIAL LOSS, DAMAGE, OR EXPENSE THAT MAY RESULT FROM ANY DEFECTS, FAILURE OR MALFUNCTION OF THE PRODUCT IS NOT COVERED BY THIS WARRANTY. Some states do not allow the exclusion, so it may not apply to you.
- IMPLIED WARRANTIES, INCLUDING THOSE OF MERCHANTABILITY OR FITNESS FOR A PARTICULAR PURPOSE, ARE LIMITED TO TWO YEARS FROM THE DATE OF ORIGINAL PURCHASE. Some states do not allow limitations on how long an implied warranty lasts, so the above limitations may not apply to you.

Owner's Manual

Safety Guidelines - Definitions

This manual contains important information that you need to know and understand in order to protect YOUR SAFETY and to PREVENT EQUIPMENT PROBLEMS. The following symbols help you recognize this information. Please read the manual and pay attention to these sections.

Save These Important Safety Instructions!

Read and understand all of these safety instructions. Be sure to retain them for future use.



WARNING! WARNINGS INDICATE A CERTAINTY OR STRONG POSSIBILITY OF PERSONAL INJURY OR DEATH IF INSTRUCTIONS ARE NOT FOLLOWED.



CAUTION: CAUTIONS INDICATE A POSSIBILITY OF EQUIPMENT DAMAGE IF INSTRUCTIONS ARE NOT FOLLOWED.



NOTE: NOTES GIVE HELPFUL INFORMATION



WARNING! IMPROPER OPERATION OR MAINTENANCE OF THIS PRODUCT COULD RESULT IN SERIOUS INJURY AND PROPERTY DAMAGE. READ AND UNDERSTAND ALL WARNINGS AND OPERATING INSTRUCTIONS BEFORE USING THIS EQUIPMENT. WHEN USING AIR TOOLS, BASIC SAFETY PRECAUTIONS SHOULD ALWAYS BE FOLLOWED TO REDUCE THE RISK OF PERSONAL INJURY.

4000W Generator

General Precautions



WARNING! FAILURE TO FOLLOW THESE INSTRUCTIONS CAN RESULT IN SEVERE INJURY OR DEATH.



CAUTION: FAILURE TO FOLLOW THESE INSTRUCTIONS CAN ALSO RESULT IN DAMAGE TO THE TOOL AND/OR THE ITEM YOU ARE WORKING ON.

DANGER **CARBON MONOXIDE**



Using a generator indoors **WILL KILL YOU IN MINUTES.**

Generator exhaust contains high levels of carbon monoxide (CO), a poisonous gas you cannot see or smell. If you can smell the generator exhaust, you are breathing CO. But even if you cannot smell the exhaust, you could be breathing CO.

- NEVER use a generator inside homes, garages, crawlspaces, or other partly enclosed areas. Deadly levels of carbon monoxide can build up in these areas. Using a fan or opening windows and doors does NOT supply enough fresh air.
 - ONLY use a generator outdoors and far away from open windows, doors, and vents. These openings can pull in generator exhaust.
- Even when you use a generator correctly, CO may leak into the home. ALWAYS use a battery-powered or battery-backup CO alarm in the home.
- If you start to feel sick, dizzy, or weak after the generator has been running, move to fresh air RIGHT AWAY. See a doctor. You could have carbon monoxide poisoning.



WARNING! THE EXHAUST CONTAINS POISONOUS CARBON MONOXIDE GAS THAT CAN CAUSE LOSS OF CONSCIOUSNESS AND MAY LEAD TO DEATH.

Gasoline and Oil



This product requires oil and fuel. Attempting to start the engine without oil will ruin the engine and void the warranty. Work in well ventilated area. Keep cigarettes, flames or sparks away from the work area or where gasoline is stored.



WARNING! GASOLINE IS EXTREMELY FLAMMABLE AND IS EXPLOSIVE UNDER CERTAIN CONDITIONS. KEEP OUT OF REACH OF CHILDREN.

- Gasoline fuel and fumes are flammable and potentially explosive. Use proper fuel storage and handling procedures. Always have multiple ABC class fire extinguishers nearby.
- Keep the generator and surrounding area clean at all times.

Owner's Manual

- Fuel or oil spills must be cleaned up immediately. Dispose of fluids and cleaning materials as per any local, state, or federal codes and regulations. Store oily rags in a covered metal container.
- Never store fuel or other flammable materials near the generator.

General Precautions (cont'd)

Gasoline and Oil (cont'd)

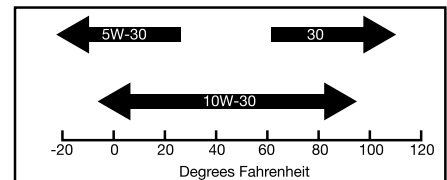
- Do not smoke, or allow sparks, flames or other sources of ignition around the engine and fuel tank. Fuel vapors are explosive.
- Keep grounded conductive objects, such as tools, away from exposed, live electrical parts and connections to avoid sparking or arcing. These events could ignite fumes or vapors.
- Do not refill the fuel tank while the engine is running or while the engine is still hot. Do not operate the generator with known leaks in the fuel system
- Excessive buildup of unburned fuel gases in the exhaust system can create a potentially explosive condition. This buildup can occur after repeated failed start attempts, valve testing, or hot engine shutdown. If this occurs, open exhaust system drain plugs, if equipped, and allow the gases to dissipate before attempting to restart the generator.
- Use only engine manufacturer recommended fuel and oil.

Fuel:

Fuel capacity is 4 US gallons(15 L). Use regular unleaded gasoline with a minimum octane rating of 90.

Oil:

Oil capacity is 0.63 qt(0.6 L)



Hot Components



WARNING! ENGINE AND EXHAUST SYSTEM PARTS BECOME VERY HOT AND REMAIN HOT FOR SOME TIME AFTER THE ENGINE IS RUN. WEAR INSULATED GLOVES OR WAIT UNTIL THE ENGINE AND EXHAUST SYSTEM HAVE COOLED BEFORE HANDLING THESE PARTS.

Power Output

This generator is not designed to power sensitive electronic equipment (including computers and medical devices) without the addition of an approved line conditioner, which is sold separately.



CAUTION: ATTEMPTING TO POWER SENSITIVE ELECTRONIC EQUIPMENT WITHOUT THE USE OF AN APPROVED LINE CONDITIONER MAY CAUSE DAMAGE TO THE EQUIPMENT. ALL-POWER IS NOT RESPONSIBLE FOR ANY DIRECT OR INDIRECT DAMAGE CAUSED BY FAILURE TO USE AN APPROVED LINE CONDITIONER.

4000W Generator

General Precautions (cont'd)

Work Area

- Keep your work area clean and well lit. Cluttered benches and dark areas invite accidents.
- Do not operate power tools in explosive atmospheres, such as in the presence of flammable liquids, gases, or dust. Generators create sparks which may ignite the dust or fumes.
- Keep bystanders, children, and visitors away while operating a generator. Provide barriers or shields as needed.

Electrical Safety

- Grounded tools must be plugged into an outlet properly installed and grounded in accordance with all codes and ordinances. Never remove the grounding prong or modify the plug in any way. Do not use any adapter plugs.
- Grounding provides a low-resistance path to carry electricity away from the user in the event of an electrical malfunction.
- Double insulated tools are equipped with a polarized plug where one blade is wider than the other. This plug fits in a polarized outlet only one way. If the plug does not fit fully in the outlet, reverse the plug. If it still does not fit, contact a qualified electrician to install a polarized outlet. Do not change the plug in any way. Double insulation eliminates the need for the three-wire grounded power cord and grounded power supply system.
- Avoid body contact with grounded surfaces such as pipes, radiators, ranges, and refrigerators. There is an increased risk of electric shock if your body is grounded.
- Do not expose generator to rain or wet conditions. Water entering a generator will increase the risk of electric shock.
- Do not abuse the power cord. Keep power cords away from heat, oil, sharp edges, or moving parts. Replace damaged power cords immediately. Damaged power cords increase the risk of electric shock.
- When operating a power tool outside, use an outdoor extension cord marked “W-A” or “W”. These extension cords are rated for outdoor use, and reduce the risk of electric shock.



Owner's Manual

General Precautions (cont'd)

Electrical Safety (cont'd)

- All connections and conduits from the generator to the load must only be installed by trained and licensed electricians, and in compliance with all relevant local, state, and federal electrical codes and standards, and other regulations where applicable.
- The generator must be earth-grounded for fixed installations in accordance with all relevant electrical codes and standards before operation.
- Do not attempt to connect or disconnect load connections while standing in water, or on wet or soggy ground.
- Do not touch electrically energized parts of the generator and interconnecting cables or conductors with any part of the body, or with any non-insulated conductive object.
- Connect the generator only to a load or electrical system (120 volt) that is compatible with the electrical characteristics and rated capacities of the generator.
- Before servicing equipment powered by the generator, disconnect the equipment from its power input.
- Keep all electrical equipment clean and dry. Replace any wiring where the insulation is cracked, cut abraded or otherwise degraded. Replace terminals that are worn, discolored, or corroded. Keep terminals clean and tight.
- Insulate all connections and disconnected wires.
- Guard against electric shock. Prevent body contact with grounded surfaces such as pipes, radiators, ranges, and refrigerator enclosures.

Personal Safety

- Stay alert. Watch what you are doing, and use common sense when operating a generator. Do not use generator while tired or under the influence of drugs, alcohol, or medication. A moment of inattention while operating generators may result in serious personal injury.
- Dress properly. Do not wear loose clothing or jewelry. Contain long hair. Keep your hair, clothing, and gloves away from moving parts. Loose clothes, jewelry, or long hair can be caught in moving parts.

4000W Generator

General Precautions (cont'd)

Personal Safety (cont'd)

- Avoid accidental starting. Make sure the power switch is in its “OFF” position, and disconnect the spark plug wire when not in use.
- Remove adjusting keys or wrenches before turning the generator on. A wrench or a key that is left attached to a rotating part of the generator may result in personal injury.
- Do not overreach. Keep proper footing and balance at all times.
- Use safety equipment. Always wear eye protection. Wear ANSI approved safety impact eye goggles. Dust mask, non-skid safety shoes, hard hat, or hearing protection must be used for appropriate conditions.
- Do not force the generator. Use the correct generator for your application. The correct generator will do the job better and safer at the rate for which it is designed.
- Do not use the generator if the power switch does not turn it on or off. Any generator that cannot be controlled with the power switch is dangerous and must be replaced.

Generator Use and Care

Make sure the power switch is in its “OFF” position and disconnect the spark plug wire before making any adjustment, changing accessories, or storing the generator. Such preventive safety measures reduce the risk of starting the generator accidentally.

Store idle generators out of reach of children and other untrained persons. Generators are dangerous in the hands of untrained users.

Maintain generators with care. Do not use damaged generator. Tag damaged generators “Do not use” until repaired.

Check for misalignment or binding of moving parts, breakage of parts, and any other condition that may affect the generator’s operation. If damaged, have the generator serviced before using. Many accidents are caused by poorly maintained generators.

Use only accessories that are recommended by the manufacturer for your model. Accessories that may be suitable for one generator may become hazardous when used on another generator.

Owner's Manual

General Precautions (cont'd)

Servicing

Maintain labels and name plates on the generator and engine. These carry important information. If unreadable or missing, contact our service center toll free at 888-896-6881 immediately for a replacement.

Generator service must be performed only qualified repair personnel. Service or maintenance performed by unqualified personnel could result in a risk of injury.

When servicing a generator, use only identical replacement parts. Follow all appropriate instructions in this manual. Use of unauthorized parts or failure to follow maintenance instructions may create a risk of electric shock or injury.

Heart Pacemakers



WARNING! PEOPLE WITH PACEMAKERS SHOULD CONSULT THEIR PHYSICIAN(S) BEFORE USING THIS PRODUCT. ELECTROMAGNETIC FIELDS IN CLOSE PROXIMITY TO A HEART PACEMAKER COULD CAUSE INTERFERENCE TO OR FAILURE OF THE PACEMAKER.

Installation

- Ensure installation meets all applicable safety, and local and national electrical codes. Have installation performed by a qualified, licensed electrician and building contractor.
- All electrical work, including the earth-ground connection, should be completed by a licensed electrician.
- Any separate fuel storage or generator supply facility must be built or installed in full compliance with all relevant local, state, and federal regulations.

4000W Generator

General Precautions (cont'd)

Installation (cont'd)

- If the generator is installed outdoors, it must be weatherproofed and should be soundproofed. It should not be run outdoors without protection to the generator and wiring conduit.
- The generator weighs 100 lbs (approx). Two or more people should assist when moving or lifting this product. Never lift the generator using the engine or alternator lifting lugs. Connect lifting equipment to the frame of the generator
- Before lifting the generator, ensure the lift rigging and supporting structure are in good condition, and are rated to lift such a load.
- Keep all personnel away from the suspended generator during relocating.
- The supporting floor/ground surface should be level and strong enough to safely hold the weight of the generator. If the floor/grounded surface is not level, strong cross members should be placed under the full length of the generator frame at its low side.
- For trailer installation, the generator should be mounted on the center point of the trailer, over the wheels. The trailer must be capable of supporting the weight of the generator and all contents (tools, etc.)
- Install sound-and weather-proofing only when it is not raining or snowing to avoid trapping moisture within the generator's area.

Mechanical

- Always make sure the power switch is in its "OFF" position. Disconnect the spark plug wire, and allow the engine to completely cool before carrying out maintenance.
- Check for damaged parts. Before using the generator, any part that appears damaged should be carefully checked to determine that it will operate properly and perform its intended function. Check for alignment and binding of moving parts, any broken parts or mounting fixtures, and any other condition that may affect proper operation technician.
- The generator is designed with guards for protection from moving parts. In any case, care must still be taken to protect personnel and equipment from other mechanical hazards when working around the generator.

Owner's Manual

General Precautions (cont'd)

Mechanical (cont'd)

- Do not operate the generator with safety guards removed. While the generator is running, do not attempt to reach around the safety guard for maintenance or any other reason.
- Keep hands, arms, long hair, loose clothing, and jewelry away from moving parts. Be aware that when engine parts are moving fast they cannot be seen clearly.
- Keep access doors on enclosures closed and locked when access is not required.
- When working on or around the generator always wear protective clothing including ANSI approved safety gloves, safety eye goggles, and safety hat.
- Do not alter or adjust any part of the generator that is assembled and supplied by the manufacturer.
- Always follow and complete scheduled engine and generator maintenance.

Chemicals

- Avoid contact with hot fuel, oil, exhaust fumes, and hot solid surfaces.
- Avoid body contact with fuels, oils, and lubricants used in the generator. If swallowed, seek medical treatment immediately. Do not induce vomiting if fuel is swallowed. For skin contact, immediately wash with soap and water. For eye contact, immediately flush eyes with clean water and seek medical attention.

Noise

- Prolonged exposure to noise levels above 68 DBA is hazardous to hearing. Always wear ANSI approved ear protection when operating or working around the generator when it is running.

4000W Generator

General Precautions (cont'd)

Extension Cord

If an extension cord (not included) is used, make sure to use only UL approved cords having the correct gauge and length according to the following table:

Nameplate Amps (@ full load)	Cord Lengths			
	0 ft.- 50 ft.	50 ft.-100 ft.	100 ft.-150 ft.	150 ft.-200 ft.
0 - 5	16 AWG	16 AWG	12 AWG	12 AWG
5.1 - 8	16 AWG	14 AWG	10 AWG	-
8.1 - 12	14 AWG	12 AWG	-	-
12.1 - 15	12 AWG	10 AWG	-	-
15 - 20	10 AWG	10 AWG	-	-

Owner's Manual

Battery

This product does not need a battery.

4000W Generator

Assembly

Unpacking

1. Remove the generator and loose parts box from the carton.
2. Compare the accessory with the inventory list below.

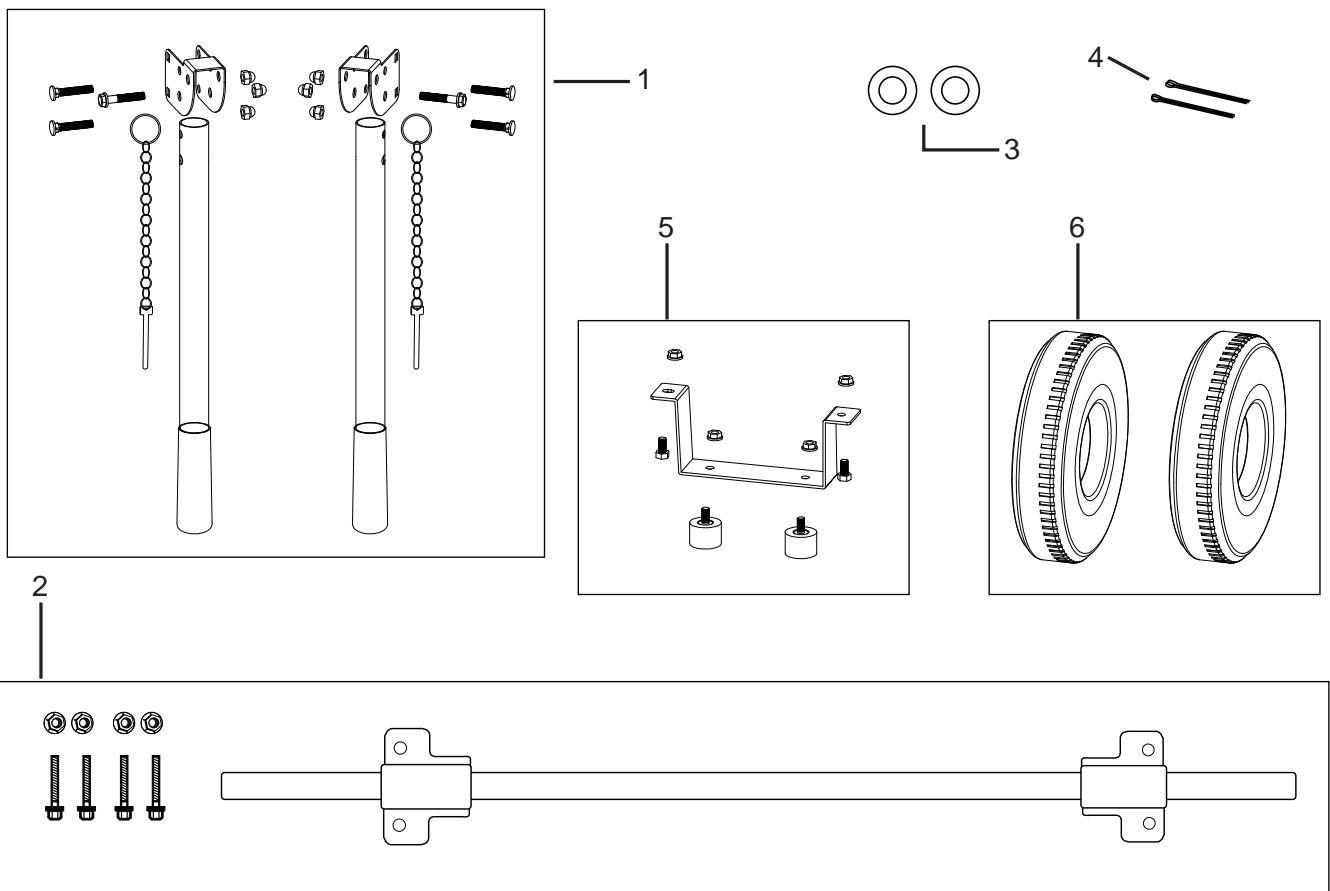
Loose Parts (Wheel kit and handle)

Check all loose parts against the following list. Contact your dealer toll free at 888.896.6881 if any of the loose parts shown are not included with your generator

Hardware Check:

Your Hardware Kit should include:

- 1) Two Handles with bolts, nuts, pin with chain and brackets
- 2) One axle shaft with bolts and nuts
- 3) Two washers
- 4) Two cotter pins
- 5) One generator leg with bolts and nuts
- 6) Two wheels



Owner's Manual

Operation



NOTE: THE PARTS LISTED ABOVE ARE HELPFUL FOR LOCATING THE CONTROLS MENTIONED BELOW.



CAUTION: PRIOR TO FIRST USING THE GENERATOR, THE ENGINE MUST BE FILLED WITH OIL OF A HIGH QUALITY SAE 10W-30 GRADE ENGINE OIL. TO DO SO, UNSCREW AND REMOVE THE ENGINE'S OIL DIPSTICK LOCATED AT THE BOTTOM OF THE ENGINE CRANKCASE. FILL THE ENGINE'S CRANKCASE UNTIL THE OIL LEVEL IS LEVEL WITH THE UPPER MARKED LINE ON THE DIPSTICK. THEN SCREW THE DIPSTICK BACK INTO THE OIL FILL HOLE.

Before Starting the Generator

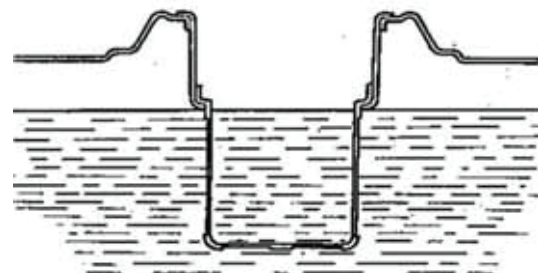
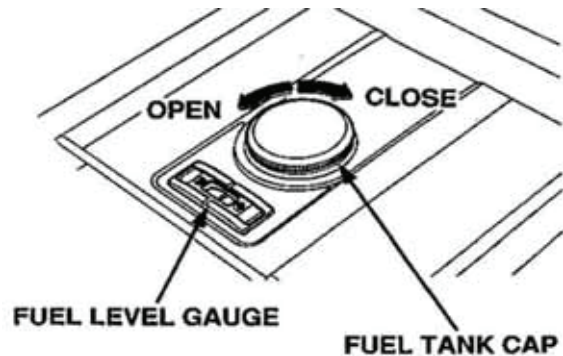
1. Check that the engine power switch is in its "OFF" position.
2. Before the first use, remove the fuel tank cap and fill the fuel tank with unleaded gasoline. When fueling, be sure that the fuel strainer is in place. Replace the fuel tank cap. Thereafter, check the engine's fuel gauge for the amount of unleaded gasoline in the fuel tank. If necessary, refill the fuel tank with unleaded gasoline; the generator must be turned off and cooled down before refilling the fuel tank.

WARNING!

Use gasoline with a pump octane rating of 90 or higher. We recommend unleaded gasolene because it produces fewer engine and spark plug deposits and extends exhaust system life.

Never use stale or contaminated gasoline or oil/gasoline mixture. Avoid getting dirt or water in the fuel tank.

Fuel tank capacity: 15.0L (4 gallons)



4000W Generator

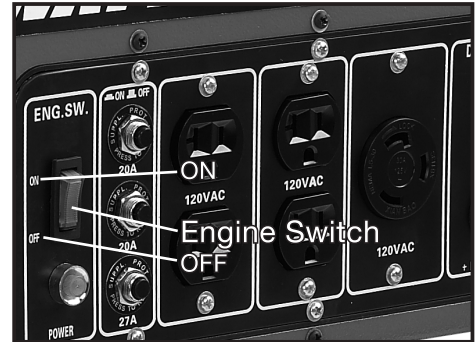
Operation (cont'd)

Starting

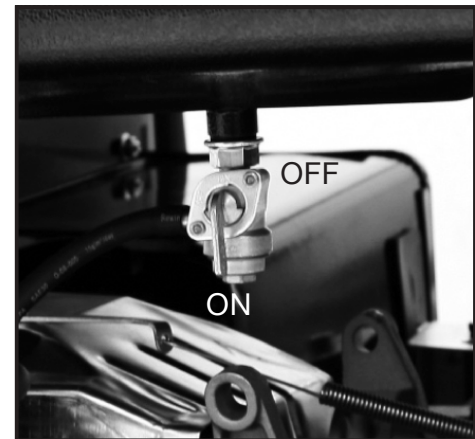
1. Turn the engine switch to the ON position.
The engine switch enables and disables the ignition system.

OFF: To stop the engine

ON: To run the engine



2. The fuel valve is located under the fuel tank . When the valve lever is in the ON position, fuel is allowed to flow from the fuel tank to the carburetor. Be sur to return the fuel valve lever to the OFF position after stopping the engine.

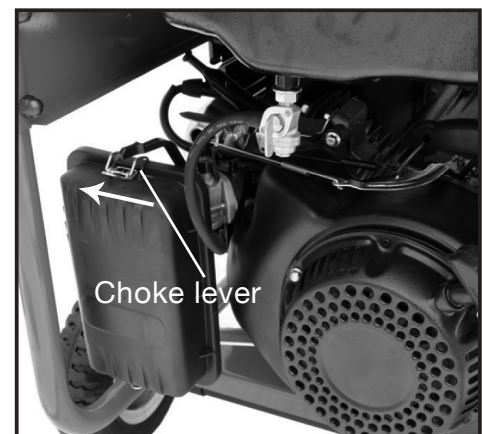


3. To start a cold engine, move the choke lever to the CLOSED position. To restart a warm engine, leave the choke lever in the OPEN position.

The choke lever opens and closes the choke valve in the carburetor.

The CLOSED position enriches the fuel mixture from starting a cold engine.

The OPEN position provides the correct fuel mixture for operation after starting, and for restarting a warm engine.

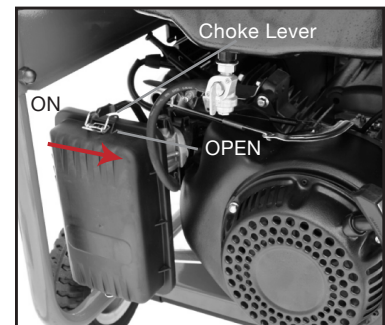
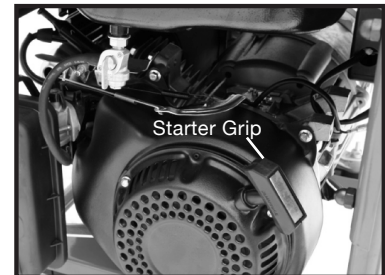


Owner's Manual

Operation (cont'd)

Starting

4. Operate the Recoil Starter:
Pull the starter grip lightly until you feel resistance, then pull briskly. Return the starter grip gently. Pulling the starter grip operates the recoil starter to crank the engine.
5. If the choke has been moved to the CLOSED position to start the engine, gradually move it to the OPEN position as the engine warms up.



Stopping Engine

1. Turn the engine switch to the OFF position.
2. Turn the fuel valve lever to the OFF position.

When the engine is not in use, leave the fuel valve in the OFF position to prevent carburetor flooding and to reduce the possibility of fuel leakage.



4000W Generator

Operation (cont'd)

Powering 120 Volt AC Tools And Equipment:

1. Prior to powering tools and equipment, make sure the generator's rated voltage, and amperage capacity (120 V AC @ 27.5 AMPs) is adequate to supply all electrical loads that the unit will power. If powering exceeds the generator's capacity, it may be necessary to group one or more of the tools and/or equipment for connection to a separate generator.



CAUTION: ATTEMPTING TO POWER SENSITIVE ELECTRONIC EQUIPMENT WITHOUT THE USE OF AN APPROVED LINE CONDITIONER MAY CAUSE DAMAGE TO THE EQUIPMENT. ALL-POWER IS NOT RESPONSIBLE FOR ANY DIRECT OR INDIRECT DAMAGE CAUSED BY FAILURE TO USE AN APPROVED LINE CONDITIONER.

2. Once the generator is running, simply connect the power cords of 120 volt AC powered tools and equipment into the 120 volt AC dual outlets.



NOTE: THE GENERATOR FEATURES AN AC NON-FUSE THERMAL PROTECTOR TO PROTECT THE AC CIRCUIT IN CASE OF AN OVERLOAD. SHOULD AN OVERLOAD OCCUR, THE BREAKER WILL POP.

3. Disconnect all electrical powered tools and equipment from the generator's 120 volt AC dual outlets.
4. After the engine and generator have completely cooled, store generator in a safe, clean, dry location (if not already installed).

Owner's Manual

Operation (cont'd)

Powering 12 Volt DC tools and Equipment:

1. Prior to powering tools and equipment, make sure the generator's rated voltage, and amperage capacity (12V DC) is adequate to supply all electrical loads that the unit will power. If powering exceeds the generator's capacity, it may be necessary to group one or more of the tools and/or equipment for connection to a separate generator.
2. Connect the power cord of a 12 VDC powered tool or equipment to the DC Terminals.



CAUTION: MAKE SURE TO CONNECT THE POSITIVE (+) LEAD OF THE POWER CORD TO THE POSITIVE (+) TERMINAL ON THE GENERATOR, AND CONNECT THE NEGATIVE (-) LEAD OF THE POWER CORD TO THE NEGATIVE (-) TERMINAL ON THE GENERATOR.

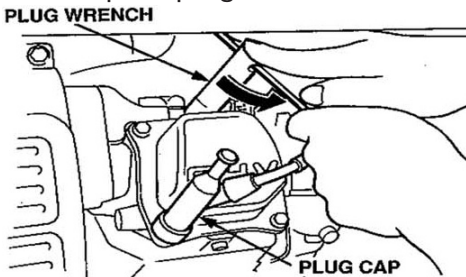
THE 12V DC IS FOR BATTERY CHARGING ONLY.

4000W Generator

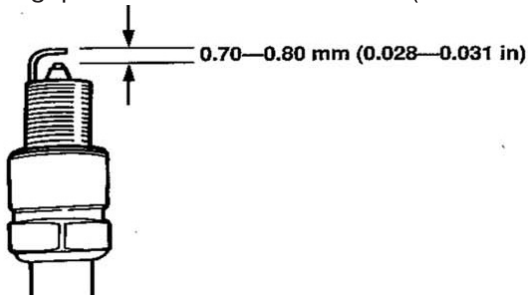
Spark Plug Service

In order to service the spark plug, you will need a spark plug wrench (commercially available). Recommended spark plugs: NHSP LD F7TC or NGKBPRGES but we recommend our OEM spark plug. To ensure proper engine operation, the spark plug must be properly gapped and free of deposits.

1. Remove the spark plug cap.
2. Clean any dirt from around the spark plug base.
3. Use a spark plug wrench to remove the spark plug.



4. Visually inspect the spark plug. Discard it if the insulator is cracked or chipped. Clean the spark plug with a wire brush if it is to be reused.
5. Measure the plug gap with a feeler gauge. (Correct as necessary by carefully bending the side electrode.) The gap should be : 0.70-0.80 mm (0.028-0.031in)



6. Check that the spark plug washer is in good condition.
7. After the spark plug is seated, tighten with a spark plug in by hand to prevent cross-threading.
8. After the spark plug is seated, tighten with a spark plug wrench to compress the washer.



NOTE: THE SPARK PLUG MUST BE SECURELY TIGHTENED. AN IMPROPERLY TIGHTENED SPARK PLUG CAN BECOME VERY HOT AND COULD DAMAGE THE ENGINE. NEVER USE SPARK PLUGS WHICH HAVE AN IMPROPER HEAT RANGE. USE ONLY RECOMMENDED SPARK PLUS OR EQUIVALENT.

Owner's Manual

Inspection, Cleaning, and Maintenance



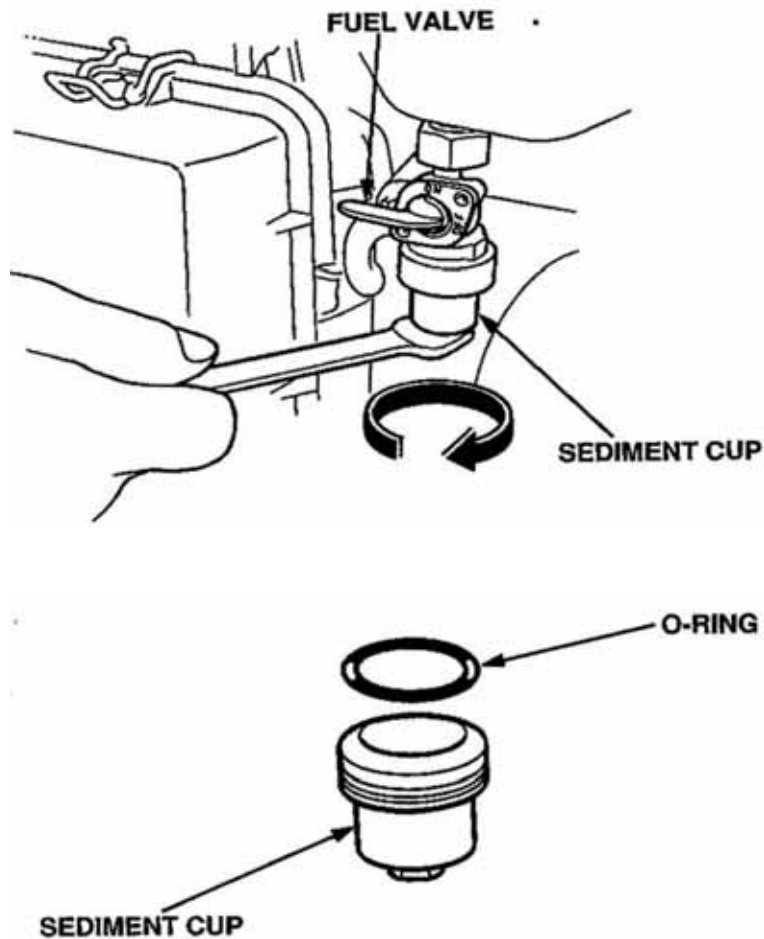
WARNING! ALWAYS MAKE SURE THE ENGINE POWER SWITCH (2) IS IN ITS "OFF" POSITION. DISCONNECT THE SPARK PLUG WIRE FROM THE ENGINE. AND ALLOW SUFFICIENT TIME FOR THE ENGINE AND GENERATOR TO COMPLETELY COOL BEFORE PERFORMING ANY INSPECTIONS, MAINTENANCE, OR CLEANING.

4000W Generator

Fuel Sediment Cup Cleaning

The sediment cup prevents dirt or water which may be in the fuel tank from entering the carburetor. If the engine has not been run for a long time, the sediment cup should be cleaned.

1. Turn the fuel valve to the OFF position. Remove the sediment cup, and O-ring.
2. Clean the sediment cup, and O-ring, in nonflammable or high flash point solvent.
3. Reinstall O-ring, and sediment cup.
4. Turn the fuel valve ON and check for leaks.



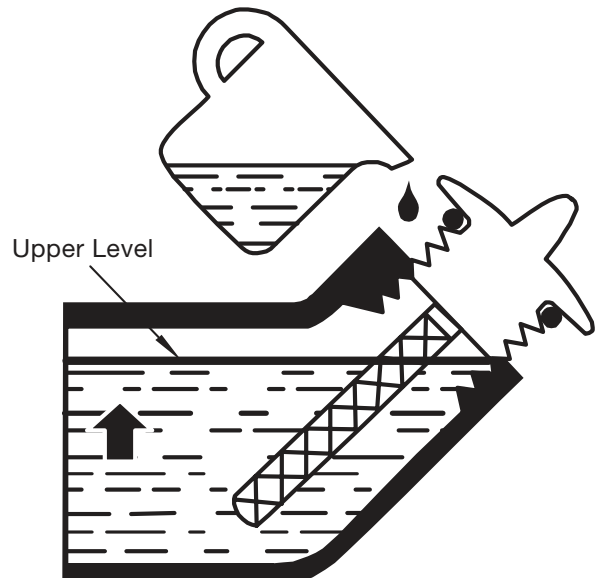
Owner's Manual

Maintenance Guide

Periodic maintenance and adjustment is necessary to keep the generator in good operating condition.

WARNING! Exhaust gas contains poisonous carbon monoxide. Shut off the engine before performing any maintenance. If the engine must be run, make sure the area is well ventilated.

- Before each use, inspect the generator. Check for:
 - Loose screws
 - Misaligned or binding moving parts
 - Cracked or broken parts
 - Damaged electrical wiring
 - Any other condition that may affect safe operation.
- If an engine problem occurs, have it checked by a qualified service technician before further use. Do not use damaged equipment.
- Before each use, make sure the engine's oil and gas levels are adequate. If necessary, fill the crankcase until the oil level is even with the oil fill hole and/or fill the fuel tank.
- Before each use, remove all debris with a soft brush, rag, or vacuum.
- Lubricate all moving parts using a premium quality, lightweight machine oil.
- Every 50 hours of use, drain the old engine oil and replace with a high quality SAE 10W-30 grade engine oil.
- Every 300 hours of use, have a qualified, certified technician perform thorough maintenance on the generator and engine.
- For long term storage, either drain fuel into suitable container or add a fuel preservative/stabilizer (not included) to prevent fuel breakdown.



4000W Generator

Air cleaner service

A dirty air cleaner will restrict air flow to the carburetor. To prevent carburetor malfunction, service the air cleaner regularly. Service more frequently when operating the generator in extremely dusty areas.

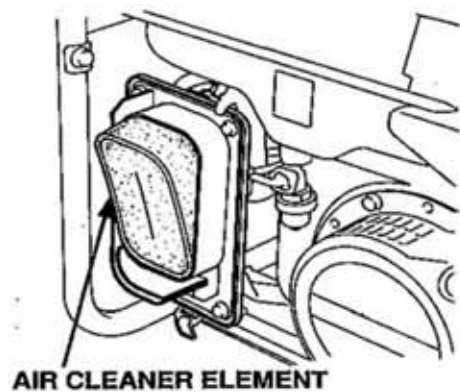


WARNING! Using gasoline or flammable solvent to clean the filter element can cause a fire or explosion. Use only soapy water or nonflammable solvent.



NOTE: Never run the generator without the air cleaner. Rapid engine wear will result.

1. Unsnap the air cleaner cover clips, remove the air cleaner cover, and remove the element.
2. Wash the element in a solution of household detergent and warm water, then rinse thoroughly, or wash in nonflammable or high flash point solvent. Allow the element to dry thoroughly.
3. Soak the element in clean engine oil and squeeze out the excess oil. The engine will smoke during initial start-up if too much oil is left in the element.
4. Reinstall the air cleaner element and the cover.



Owner's Manual

Transporting/Storage

When transporting the generator, turn the engine switch and the fuel valve OFF. Keep the generator level to prevent fuel spillage. Fuel vapor or spilled fuel may ignite.



WARNING! Contact with a hot engine or exhaust system can cause serious burns or fires. Let the engine cool before transporting or storing the generator.

Take care not to drop or strike the generator when transporting. Do not place heavy objects on the generator.

Before storing the unit for an extended period:

1. Be sure the storage area is free of excessive humidity and dust.
2. Service according to the table below:

STORAGE TIME	RECOMMENDED SERVICE PROCEDURE TO PREVENT HARD STARTING
Less than 1 month	No preparation required
1 to 2 months	Fill with fresh gasoline and add gasoline conditioner*.
2 months to 1 year	Fill with fresh gasoline and add gasoline conditioner*. Drain the carburetor float bowl. Drain the fuel sediment cup.
1 year or more	Fill with fresh gasoline and add gasoline conditioner*. Drain the carburetor float bowl. Drain the fuel sediment cup. Remove the spark plug. Put a tablespoon of engine oil into the cylinder. Turn the engine slowly with the pull rope to distribute the oil. Reinstall the spark plug. Change the engine oil. After removal from storage, drain the stored gasoline into a suitable container, and fill with fresh gasoline before starting.

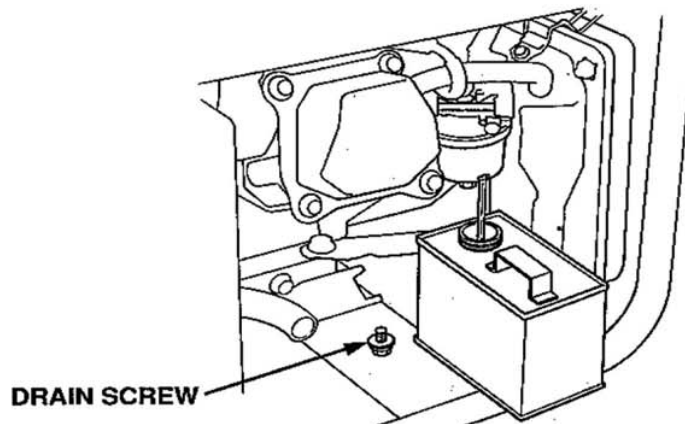
4000W Generator

Transporting/Storage

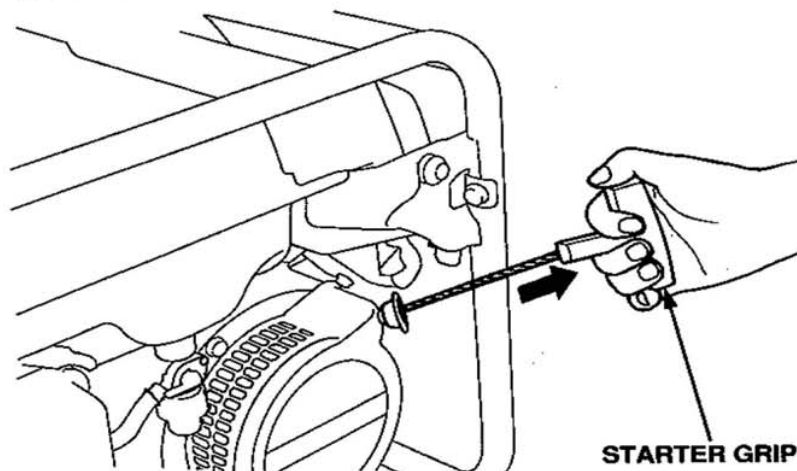
1. Drain the carburetor by loosening the drain screw. Drain the gasoline into a suitable container.

⚠ WARNING

Gasoline is extremely flammable and is explosive under certain conditions. Perform this task in a well ventilated area with the engine stopped. Do not smoke or allow flames or sparks in the area during this procedure.



2. Change the engine oil
3. Remove the spark plug, and pour about a tablespoon of clean engine oil into the cylinder. Crank the engine several revolutions to distribute the oil, then reinstall the spark plug.
4. Slowly pull the starter grip until resistance is felt. At this point, the piston is coming up on its compression stroke and both the intake and exhaust valves are closed. Storing the engine in this position will help to protect it from internal corrosion.



Owner's Manual

Installation



NOTE: PRIOR TO POWERING TOOLS AND EQUIPMENT MAKE SURE THE GENERATOR'S RATED VOLTAGE, WATTAGE AND AMPERAGE CAPACITY IS ADEQUATE TO SUPPLY ALL ELECTRICAL LOADS THAT THE UNIT WILL POWER. IF POWERING EXCEEDS THE GENERATOR'S CAPACITY, IT MAY BE NECESSARY TO GROUP ONE OR MORE OF THE TOOLS AND/OR EQUIPMENT FOR CONNECTION TO A SEPARATE GENERATOR.

Electrical and other permits may be required for the installation of emergency power systems. Investigate your local building and electrical codes before installing this unit. Installation must be completed by licensed contractors.



WARNING! THE GENERATOR WEIGHS APPROXIMATELY 100 POUNDS. USE CARE AND THE PROPER LIFTING OR HOISTING EQUIPMENT WHEN MOVING IT TO THE INSTALLATION LOCATION. ALWAYS CONNECT HOIST LINES TO THE FRAME OF THE GENERATOR.

General Location

- Make sure to locate and install the generator outdoors where cooling air is readily available.
- Install the generator so that the air inlets and outlets are not blocked by obstructions such as bushes, trees, or snow drifts. Locating it in the path of heavy winds or snowdrifts may require the placement of a barrier for protection. In normal weather conditions, the air vent should face the prevailing wind direction.
- Install the generator on a concrete slab or other area where rain drainage or flood waters can not reach it.
- Generator placement should allow four feet of access to all sides for maintenance.
- Place the generator as close as possible to the electrical tools and equipment being powered to reduce the length of extension cords.

4000W Generator

Installation (cont'd)

Supporting and Mounting

Mount the generator on a concrete slab capable of supporting the weight of the generator. The slab must extend on all sides beyond the frame by at least one foot. Contact a cement contractor for slab specifications if necessary. Attach the frame to the concrete slab using 3/8" diameter expansion anchor bolts (not supplied).

Grounding



NOTE: IT IS RECOMMENDED THAT ONLY A TRAINED AND LICENSED ELECTRICIAN PERFORM THIS PROCEDURE

Connect a #6 AWG grounding wire (not included) from the ground connector (8) on the generator to a grounding rod (not included) that has been driven at least 24 inches deep into the earth. The grounding rod must be an earth-driven copper or brass rod (electrode) which can adequately ground the generator.

Owner's Manual

Specifications

AC electrical

Current Output	120V AC @ 27.5A 60Hz
Continuous/rated Wattage	3,300
Peak Wattage	4,000
Outlet	Four 120V outlets, One 120V twist-lock

DC electrical

12V	8.3 A
-----	-------

Gasoline engine

Type	4-cycle OHV air-cooled recoil start
Displacement	208cc
Oil capacity	0.63 quart (0.6liter)
EPA approved	yes

Fuel

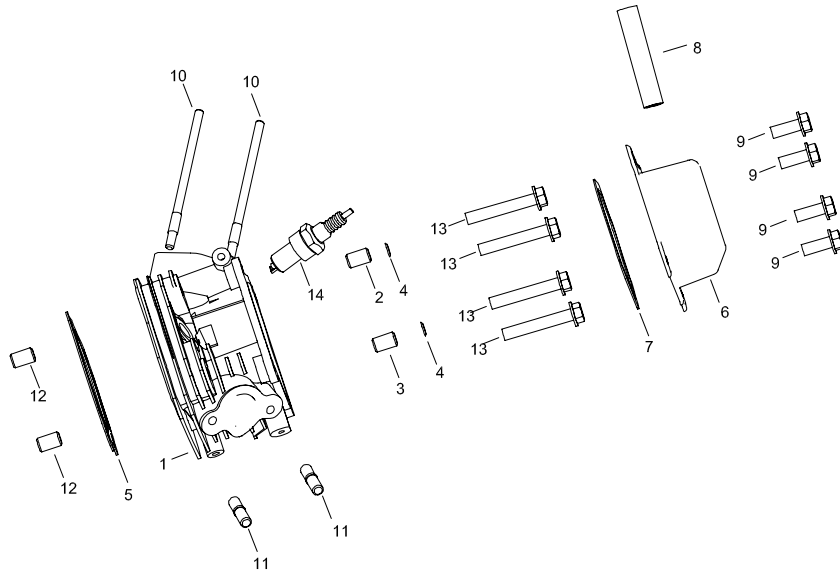
Type	Unleaded gasoline
Capacity	4 gallons
Running time	8 hours (approx.) on 1/2 load

Weight

Approximate weight	107 lbs.
--------------------	----------

4000W Generator

Cylinder head system assy.

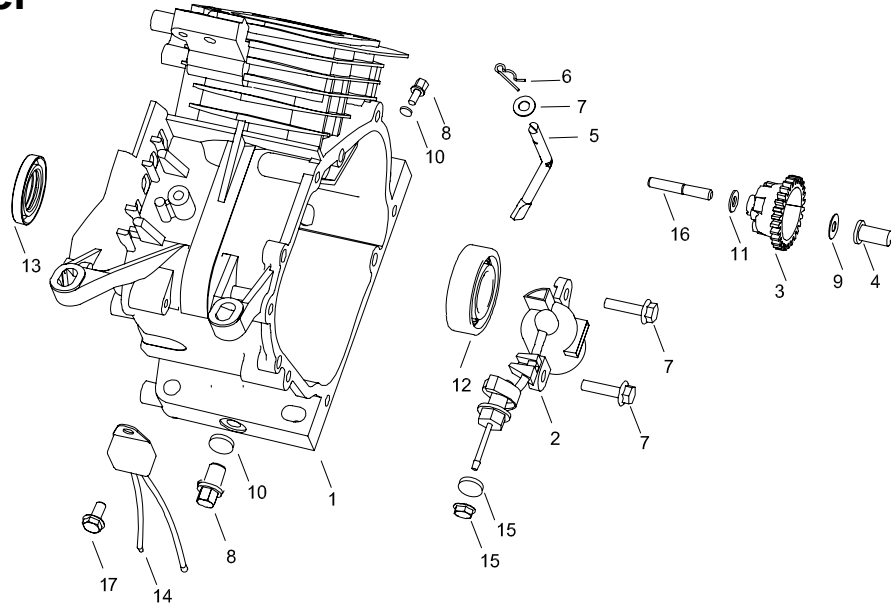


A

APA Part No.	Description
APGG4000-A-01-JD	CYLINDER HEAD COMP.
APG3012-A-02-JD	EX. VALVE GUIDE
APG3012-A-03-JD	IN. VALVE GUIDE
APG3012-A-04-JD	VALVE GUIDE CLIP
APGG4000-A-05-JD	CYLINDER HEAD SEALING PAD
APG3012-A-06-JD	HEAD COVER COMP.
APG3012-A-07-JD	HEAD COVER PACKING
APG3012-A-08-JD	TUBE
APG3012-A-09-JD	HEAD COVER COMP. BOLT (MX12)
APG3012-A-10-JD	CARBURETOR STUD BOLT
APG3012-A-11-JD	EXHAUST PIPE STUD BOLT
APG3012-A-12-JD	DOWEL PIN (10X16)
APG3012-A-13-JD	FLANGE BOLT (M8X58)
APG3012-A-14-JD	SPARK PLUG

4000W Generator

Cylinder barrel

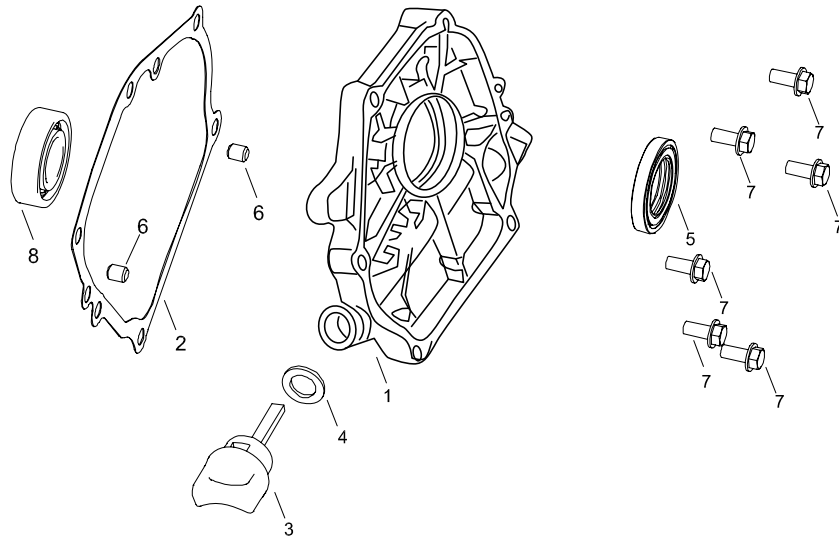


B

APA Part No.	Description
APGG4000-B-01-JD	CRANK CASE
APG3012-B-02-JD	OIL LEVEL SWITCH ASSY.
APG3012-B-03-JD	GOVERNOR GEAR ASSY.
APG3012-B-04-JD	SLIDER SHAFT
APG3012-B-05-JD	GOVERNOR ARM SHAFT
APG3012-B-06-JD	LOCK PIN (8mm)
APG3012-B-07-JD	WASHER
APG3012-B-08-JD	DRAIN PLUG BOLT
APG3012-B-09-JD	THRUST WASHER (6mm)
APG3012-B-10-JD	DRAIN PLUG WASHER (10.2mm)
APG3012-B-11-JD	SLIDER WASHER
APG3012-B-12-JD	BALL BEARING (6205)
APG3012-B-13-JD	OIL SEAL ($\phi 25 \times \phi 41.25 \times 6$)
APG3012-B-14-JD	OIL ALERT
APG3012-B-15-JD	FLANGE NUT (M10) and O-RING
APG3012-B-16-JD	GOVERNOR SLIDER
APG3012-B-17-JD	FLANGE BOLT (M6X12)

4000W Generator

Crankcase cover system assy.

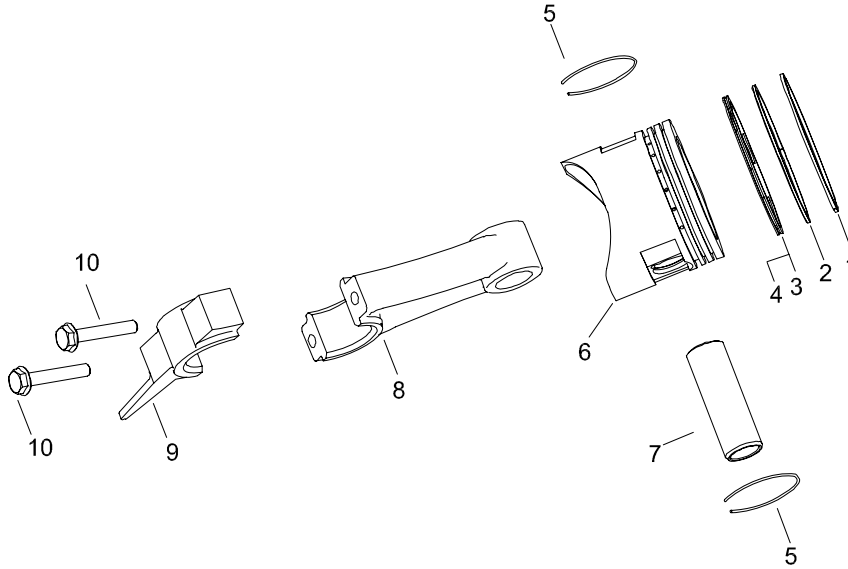


C

APA Part No.	Description
APGG4000-C-01-JD	CRANKCASE COVER
APGG4000-C-02-JD	CRANKCASE COVER PAD
APG3012-C-03-JD	OIL SCALE
APG3012-C-04-JD	OIL SCALE SEAL
APG3012-C-05-JD	OIL SEAL($\phi 25 \times \phi 41.25 \times 8$)
APG3012-C-06-JD	DOWEL PIN (8X 14)
APG3012-C-07-JD	FLANGE BOLT (M8X28)
APG3012-C-08-JD	BALL BEARING (6205)

4000W Generator

Piston and connecting rod system assy.

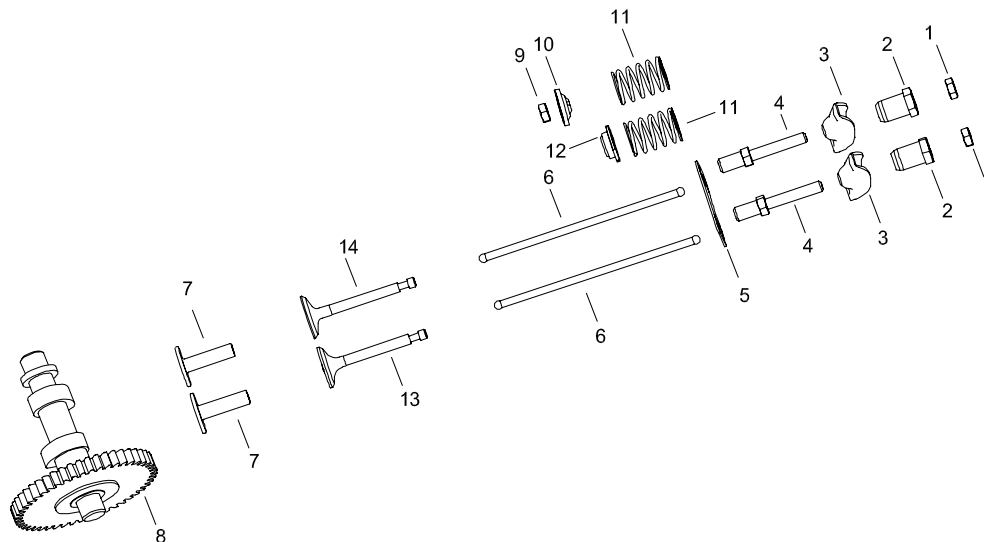


E

APA Part No.	Description
APGG4000-E-01-JD	COMPRESSION RING A
APGG4000-E-02-JD	COMPRESSION RING B
APGG4000-E-03-JD	OIL RING A
APGG4000-E-04-JD	OIL RING B
APG3012-E-05-JD	PISTON PIN CLIP
APGG4000-E-06-JD	PISTON
APG3012-E-07-JD	PISTON PIN
APG3012-E-08-JD	CONNECTING ROD
APG3012-E-09-JD	CONNECTING COVER
APG3012-E-10-JD	CONNECTING ROD BOLT

4000W Generator

Recoil starter system assy.

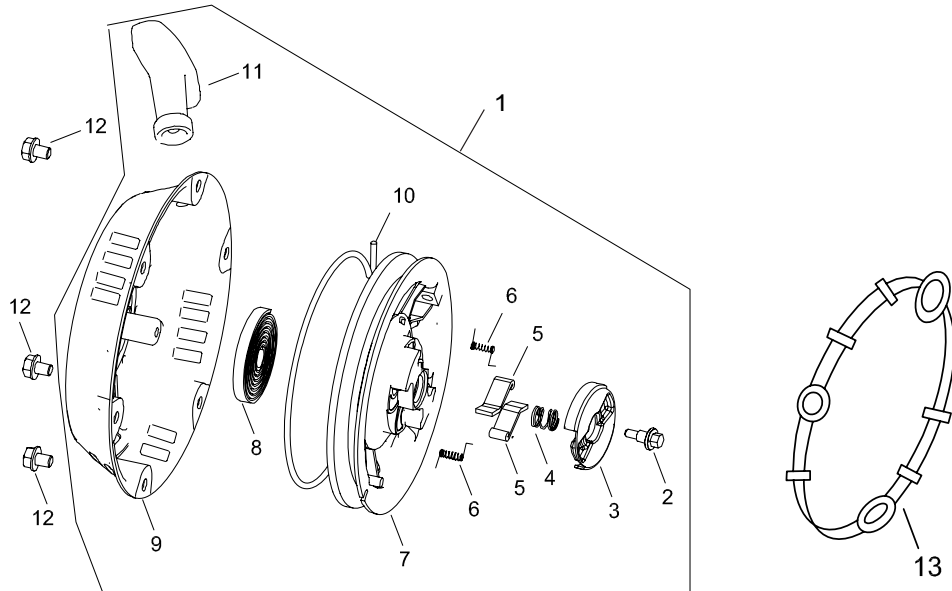


F

APA Part No.	Description
APG3012-F-01-JD	PIVOT ADJUSTING NUT
APG3012-F-02-JD	ROCKER ARM PIVOT
APG3012-F-03-JD	ROCKER ARM
APG3012-F-04-JD	PIVOT BOLT (M8)
APG3012-F-05-JD	PUSH ROD GUIDE PLATE
APG3012-F-06-JD	PUSH ROD
APG3012-F-07-JD	VALVE LIFTER
APG3012-F-08-JD	CAMSHAFT
APG3012-F-09-JD	VALVE ROTATOR
APG3012-F-10-JD	EX. VALVE SPRING RETAINER
APG3012-F-11-JD	VALVE SPRING
APG3012-F-12-JD	IN. VALVE SPRING RETAINER
APG3012-F-13-JD	IN. VALVE
APG3012-F-14-JD	EX. VALVE

4000W Generator

Recoil starter system assy.

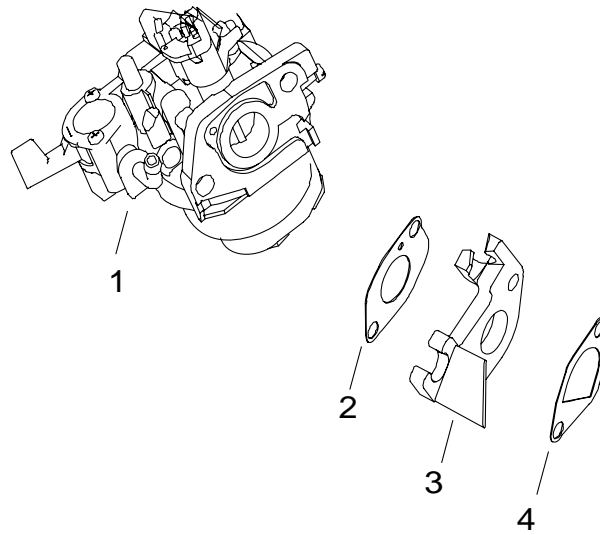


G

APA Part No.	Description
APGG4000-G-01-JD	RECOIL STARTER ASSY.
APG3012-G-02-JD	SETTING SCREW
APG3012-G-03-JD	SPRING RETAINER
APG3012-G-04-JD	PLATEN SPRING
APG3012-G-05-JD	STARTER RATCHET
APG3012-G-06-JD	RETURN SPRING
APG3012-G-07-JD	RECOIL STARTER REEL
APG3012-G-08-JD	RECOIL STARTER SPRING
APGG4000-G-09-JD	RECOIL STARTER CASE COMP
APG3012-G-10-JD	RECOIL STARTER ROPE
APG3012-G-11-JD	STARTER KNOB
APG3012-G-12-JD	FLANGE BOLT (M6X8)
APG3012-G-13-JD	RECOIL STARTER SPACER

4000W Generator

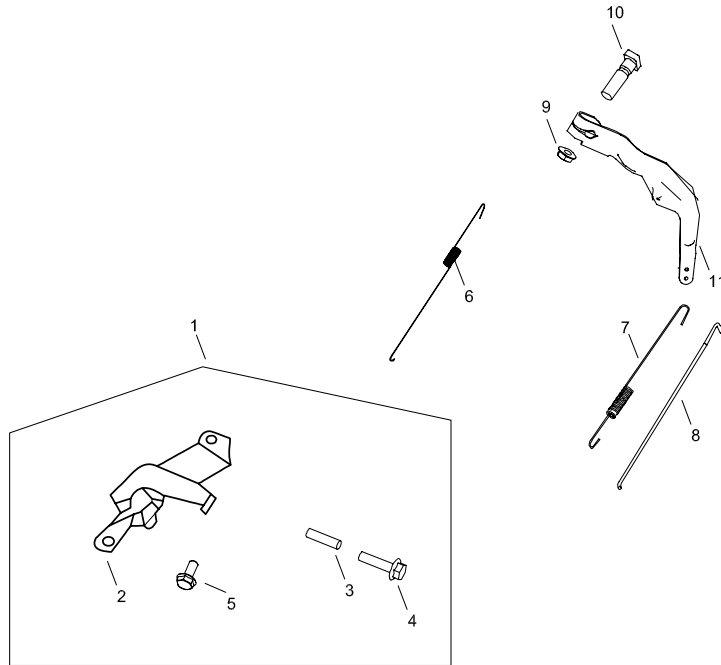
Carburetor system assy.



APA Part No.	Description
APGG4000-I-01-JD	CARBURETOR ASSY.
APG3012-I-02-JD	CARBURETOR PAPER GASKET
APG3012-I-03-JD	CARBURETOR INSULATING PLATE
APG3012-I-04-JD	INTAKE PIPE GASKET

4000W Generator

Control system assy.

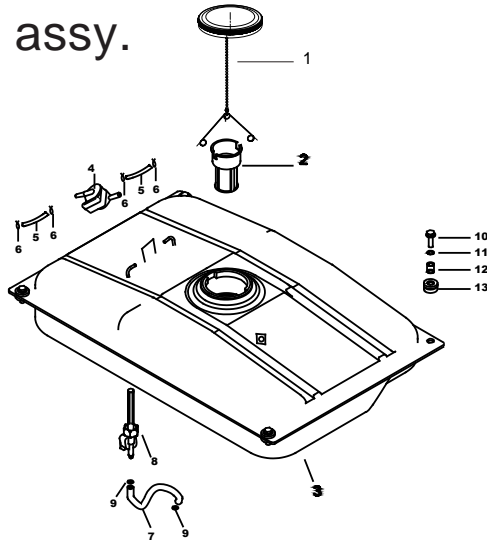


M

APA Part No.	Description
APG3012-M-01-JD	CONTROL UNIT ASSY.
APG3012-M-02-JD	CONTROL BASE COMP.
APG3012-M-03-JD	CONTROL A JUSTING SPRING
APG3012-M-04-JD	PAN SCREW (M5 X 34)
APG3012-M-05-JD	FLANGE BOLT (M6 X 14)
APG3012-M-06-JD	GOVERNOR SPRING
APG3012-M-07-JD	THROTTLE RETURN SPRING
APG3012-M-08-JD	GOVERNOR ROD
APG3012-M-09-JD	FLANGE NUT (M6)
APG3012-M-10-JD	GOVERNOR ARM BOLT (M6)
APG3012-M-11-JD	GOVERNOR ARM

4000W Generator

Fuel tank system assy.



P

APA Part No.	Description
APG4000 -P-01-JD	FUEL FILLER CAP COMP
APG4000 -P-02-JD	FUEL FILTER
APG4000 -P-03-JD	FUEL TANK COMP.
APG4000 -P-04-JD	OVERFLOW VALVE
APG4000 -P-05-JD	FUEL TUBE A
APG4000 -P-06-JD	TUBE CLIP A
APG4000 -P-07-JD	FUEL TUBE D
APG4000 -P-08-JD	FUEL VALVE
APG4000 -P-09-JD	TUBE CLIP C
APG4000 -P-10-JD	FLANGE BOLT
APG4000 -P-11-JD	AIR DUCT WASHER
APG4000 -P-12-JD	TANK CUSHION WASHER
APG4000 -P-13-JD	TANK CUSHION RUBBER

4000W Generator

Control box assy.

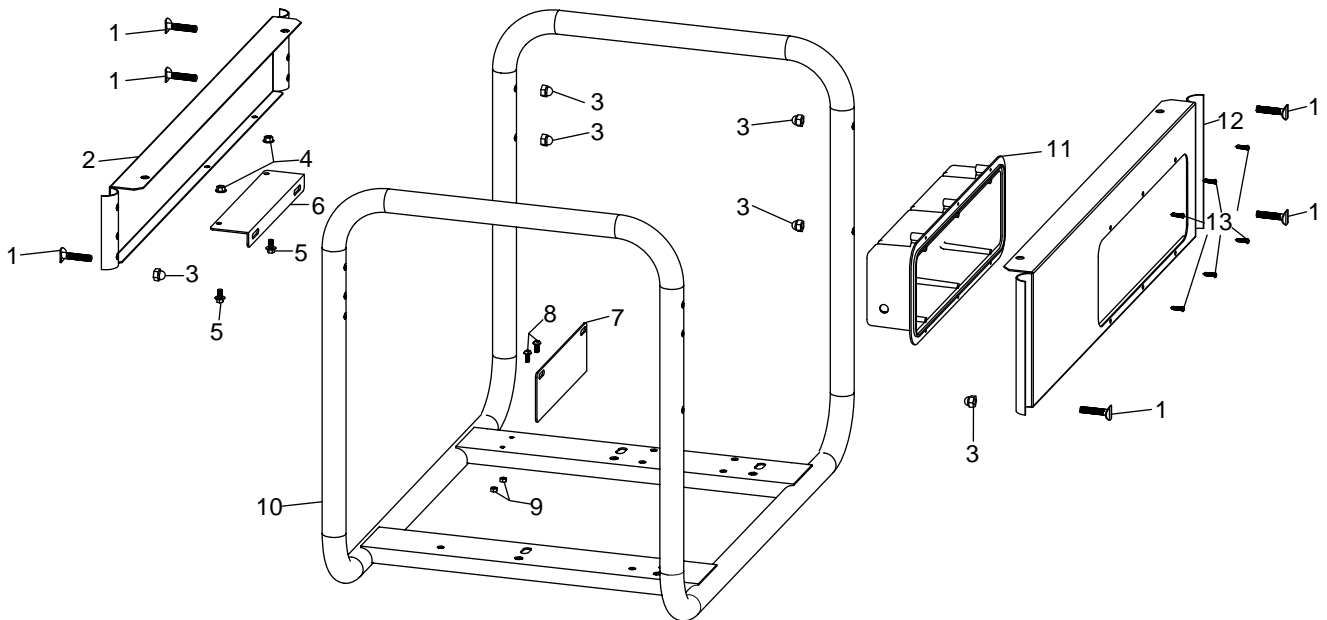


Q

APA Part No.	Description
APGG4000-Q-01-JD	ENGINE SWITCH ASSY.
APGG4000-Q-02-JD	POWER LAMP
APGG4000-Q-03-JD	CONTROL PANEL COMP
APGG4000-Q-04-JD	CIRCUIT PROTECTOR
APGG4000-Q-05-JD	120V RECEPTACLE
APGG4000-Q-06-JD	VOLTAGE SWITCH
APGG4000-Q-07-JD	120V/240V RECEPTACLE
APGG4000-Q-08-JD	CIRCUIT PROTECTOR
APGG4000-Q-09-JD	DC 12V OUTPUT

4000W Generator

Frame Comp Assy.

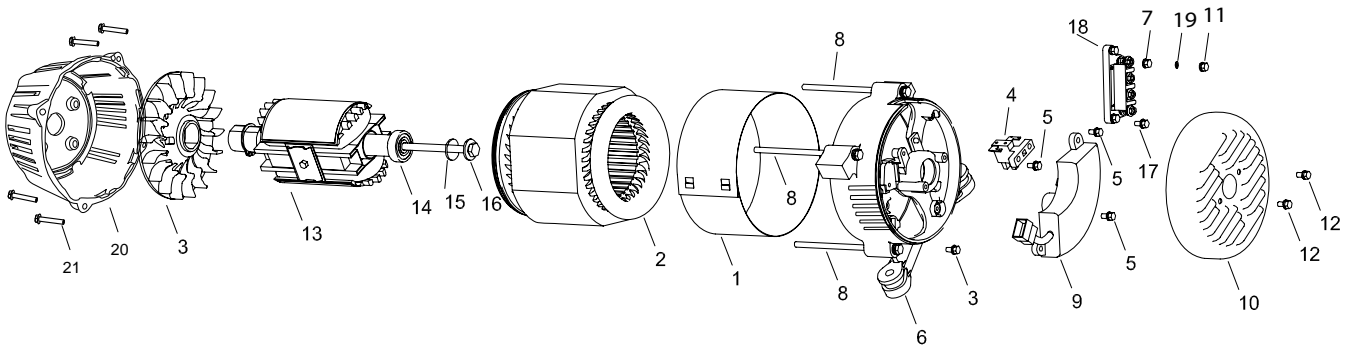


R

APA Part No.	Description
APGG4000-R-01-JD	BOLT
APGG4000-R-02-JD	REAR COVER
APGG4000-R-03-JD	NUT
APGG4000-R-04-JD	FLANGE NUT
APGG4000-R-05-JD	FLANGE BOLT
APGG4000-R-06-JD	MUFFLER SUPPORTER(UPPER)
APGG4000-R-07-JD	MUFFLER SUPPORTER(NETHER)
APGG4000-R-08-JD	BOLT
APGG4000-R-09-JD	NUT
APGG4000-R-10-JD	GENERATOR FRAME
APGG4000-R-11-JD	CONTROL PANEL BOX
APGG4000-R-12-JD	FRONT COVER
APGG4000-R-13-JD	SCREW

4000W Generator

Generator

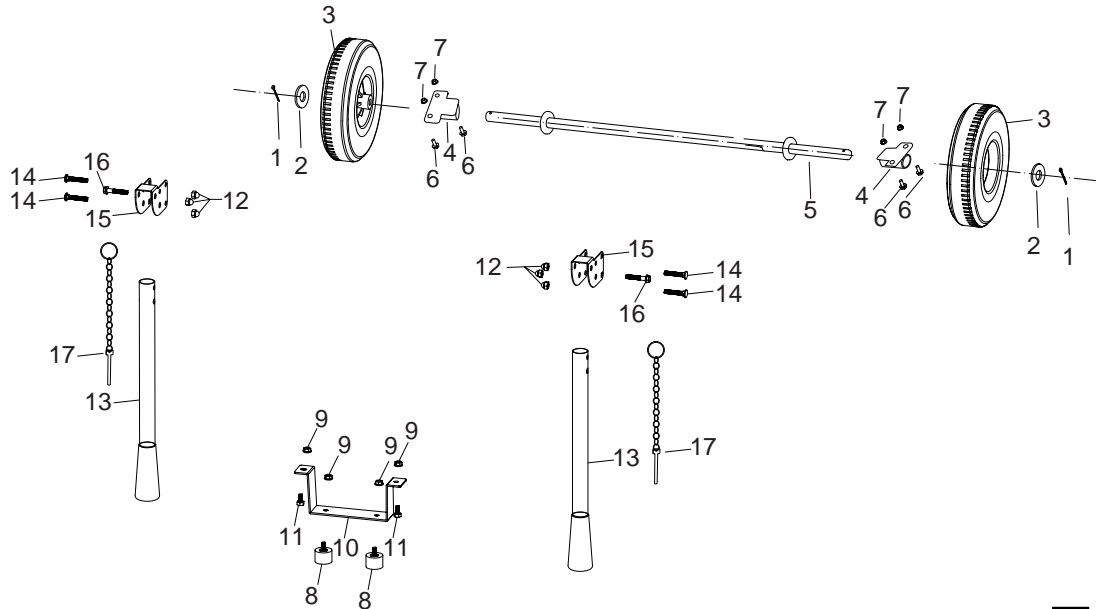


S

APA Part No.	Description
APGG4000-S-01-JD	STATOR COVER
APGG4000-S-02-JD	STATOR ASSY.
APGG4000-S-03-JD	COOLING FAN
APGG4000-S-04-JD	BRUSH ASSY.
APGG4000-S-05-JD	TAPPING SCREW
APGG4000-S-06-JD	GENERATOR STAY
APGG4000-S-07-JD	NUT (5mm)
APGG4000-S-08-JD	FLANGE BOLT (M6X155)
APGG4000-S-09-JD	AUTO VOLTAGE REG. ASSY.
APGG4000-S-10-JD	REAR COVER
APGG4000-S-11-JD	NUT
APGG4000-S-12-JD	FLANGE BOLT
APGG4000-S-13-JD	ROTOR COMP.
APGG4000-S-14-JD	BEARING ASSY.
APGG4000-S-15-JD	PLAIN WASHER
APGG4000-S-16-JD	FLANGE BOLT (M8X227)
APGG4000-S-17-JD	HEX. BOLT (M5 X 20)
APGG4000-S-18-JD	VOLT CHANGE TERMINAL BR-AC-W
APGG4000-S-19-JD	PLAIN WASHER (5mm)
APGG4000-S-20-JD	FRONT COVER
APGG4000-S-21-JD	FLANGE BOLT (M8X30)

4000W Generator

Wheel & Hand Assy.



T

APA Part No.	Description
APGG4000-T-01-JD	PIN SPLIT
APGG4000-T-02-JD	WSHER PLAIN
APGG4000-T-03-JD	WHEEL
APGG4000-T-04-JD	BAFFLE
APGG4000-T-05-JD	SHAFT
APGG4000-T-06-JD	FLANGE BOLT (M6X 35)
APGG4000-T-07-JD	FLANGE NUT (M6)
APGG4000-T-08-JD	RUBBER BOLT
APGG4000-T-09-JD	FLANGE NUT
APGG4000-T-10-JD	STANDER
APGG4000-T-11-JD	FLANGE BOLT (M6X 16)
APGG4000-T-12-JD	NUT
APGG4000-T-13-JD	HANDLE
APGG4000-T-14-JD	BOLT
APGG4000-T-15-JD	BRACKET
APGG4000-T-16-JD	FLANGE BOLT
APGG4000-T-17-JD	LOCK PIN

Distributed by:
ALL-POWER AMERICA
www.allpoweramerica.com